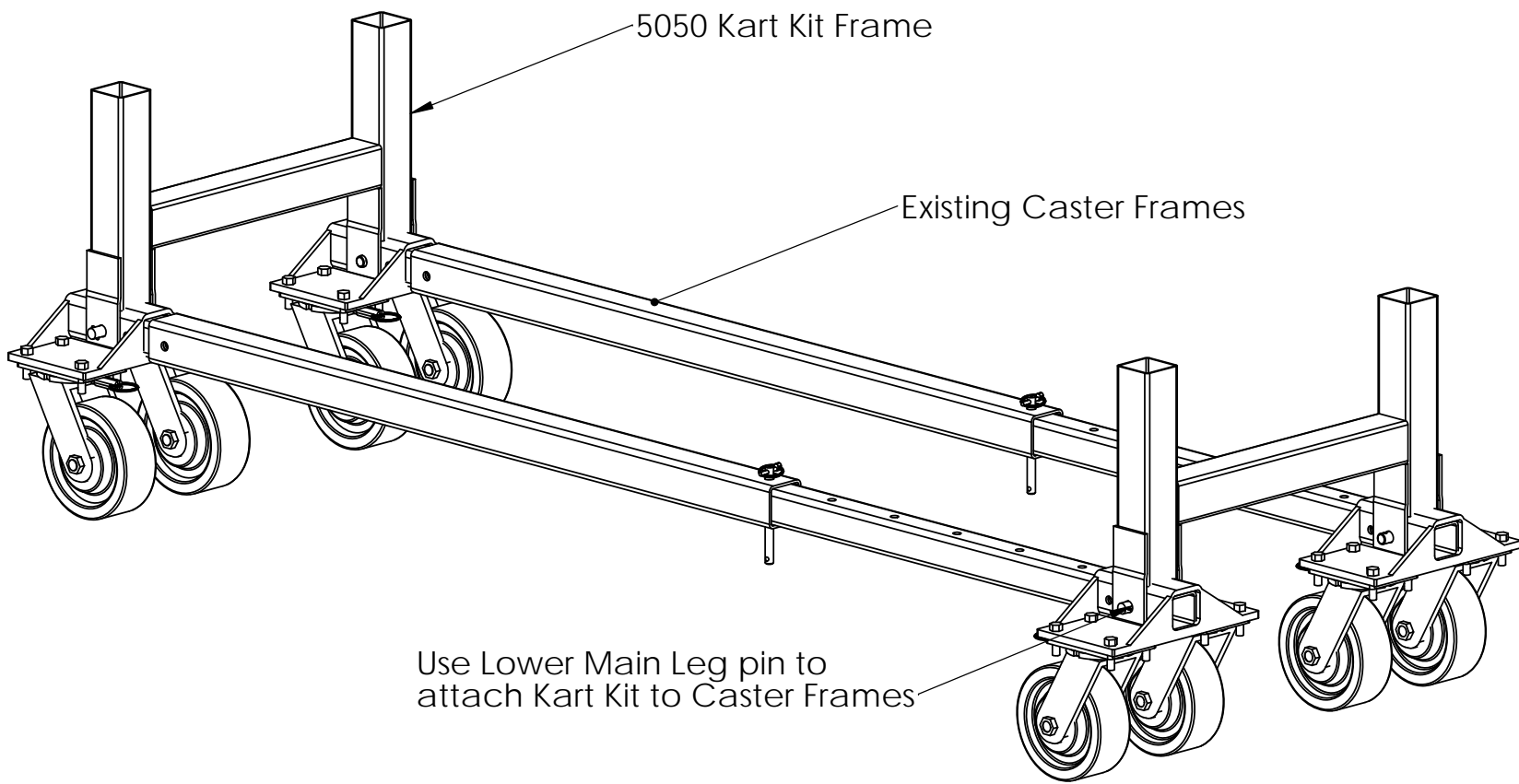


2

1

B

B



A

A



**PROPRIETARY AND CONFIDENTIAL**  
 THE INFORMATION CONTAINED IN THIS DRAWING IS THE SOLE PROPERTY OF WALLACE CRANES. ANY REPRODUCTION IN PART OR AS A WHOLE WITHOUT THE WRITTEN PERMISSION OF WALLACE IS PROHIBITED.

|             |         |                                      |           |      |         |
|-------------|---------|--------------------------------------|-----------|------|---------|
|             |         | UNLESS OTHERWISE SPECIFIED:          |           | NAME | DATE    |
|             |         | DIMENSIONS ARE IN INCHES             | DRAWN     | jif  | 1/13/17 |
|             |         | TOLERANCES:                          | CHECKED   |      |         |
|             |         | FRACTIONAL ±                         | ENG APPR. |      |         |
|             |         | ANGULAR: MACH ± BEND ±               | MFG APPR. |      |         |
|             |         | TWO PLACE DECIMAL ±                  | Q.A.      |      |         |
|             |         | THREE PLACE DECIMAL ±                | COMMENTS: |      |         |
|             |         | INTERPRET GEOMETRIC TOLERANCING PER: |           |      |         |
|             |         | MATERIAL                             |           |      |         |
|             |         | FINISH                               |           |      |         |
| NEXT ASSY   | USED ON |                                      |           |      |         |
| APPLICATION |         | DO NOT SCALE DRAWING                 |           |      |         |

|                                     |          |              |
|-------------------------------------|----------|--------------|
| TITLE:                              |          |              |
| Square Tube Tri-Adjustable Kart Kit |          |              |
| SIZE                                | DWG. NO. | REV          |
| <b>A</b>                            | 5050_kit |              |
| SCALE: 1:12                         |          | WEIGHT:      |
|                                     |          | SHEET 2 OF 2 |

2

1