



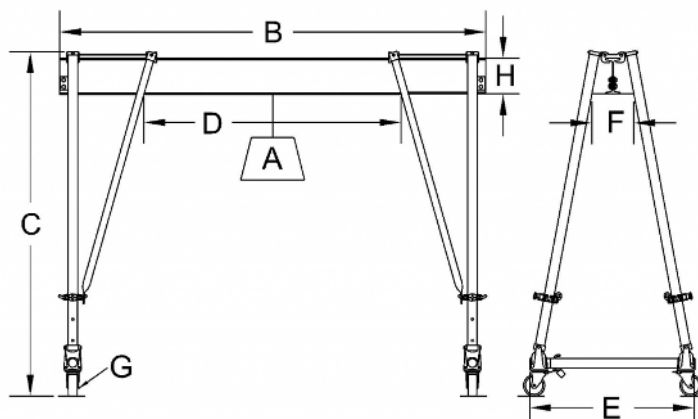
## Wallace 1/2 Ton to 3 Ton Aluminum Tri-Adjustable Portable Cranes

The lightweight Aluminum Wallace Tri-Adjustable Crane is our most popular product line! Current applications include use in chemical, optical and electronic clean rooms. In addition many customers use our cranes for HVAC, electrical utilities, WWTP, municipal maintenance (including subways, buses and building facilities), hospitals, universities, airports and the military. With adjustable height, span and tread Wallace Cranes provide flexible lifting solutions. The Aluminum design makes these cranes the ideal combination of high lifting and reduced weight. They are easily assembled and disassembled for convenient portability. Available accessories include manual or powered trolleys and hoists, jack kits for frequent crane height adjustments, and kart kits for transporting and/or storing cranes. Options for track mounting with V-groove casters and motorizing cranes are also available - click on the accessories tab for more information.

[Tri-Adjustable Assembly and Inspection Instructions](#)

### Product Features

- I-beam spans from 10' - 15' (up to 20' spans on 1 ton models only)
- Adjustable span allows inboard or outboard bracing
- Adjustable span allows cantilever configuration overhang limited to 25% of the I-beam length
- Adjustable legs permit crane height adjustment at 6" increments
  - Raise height to go over equipment, material, etc...
  - Lower height to go under low ceilings, doorways, etc...
  - Legs can be set at different heights where floor or terrain is uneven-ideal for loading from truck dock to floor or from ground level to mezzanine
  - Adjustable caster tread to roll thru narrow aisles or doorways which prevents costly disassembly
    - safety cable attached inside of caster frame tubes prevents overspreading when adjusting
  - Durable construction - high quality heavy gauge aluminum tubing is used
  - Self Aligning I-beam - Exclusive Wallace I-beam support system aligns off-center loads to avoid crane and trolley distortion
    - I-beam support system slides along the I-beam enabling leg spacing adjustments and cantilever configurations
  - Height Adjusting Bolts - Main legs are equipped with spring loaded bolts permitting crane height adjustment - they can be locked out until the desired height is reached, then unlocked to engage automatically
  - Casters equipped with 4 position swivel lock - when locked at 90 degrees with each other, they position crane more firmly than a brake
    - Lock "lead" casters and unlock trailing casters to easily move and steer crane
    - Alternate steel V-grooved casters are available for use on angle iron track
  - Completely portable - Stress-proof steel pins with locking rings provide quick assembly and disassembly
    - Many aluminum crane models can be hand carried
    - The optional "Kart Kit" is available and transforms your disassembled crane to a cart which allows easy transportation and storage



Tri-Adjustable Round Tube Dimensional Sketch - Click to enlarge

## Crane Sizes and Model Numbers

A	B		C		D	E		F	G	H	
Capacity	Span	Model Number	Overall Height		Clear Span	Caster Frame Spread		Leg Clear.	Caster Dia.	I-Beam Depth	Net Wt.
			max	min		max	min				
1/2 Ton	10'	A0T12-A10AC	12' 4"	7' 10"	5' 0"	10' 0"	6' 0"	11"	6"	6"	274
	15'	A0T12-A15AC	12' 4"	7' 10"	10' 1"	10' 0"	6' 0"	13"	6"	8"	330
1 Ton	10'	A2T6-A10AC	6' 7"	4' 2"	6' 3"	6' 5"	3' 11"	12"	6"	6"	216
		A2T10-A10AC	9' 9"	6' 7"	6' 0"	6' 5"	3' 11"	10"	6"	6"	238
		A2T12-A10	12' 6"	8' 1"	5' 0"	10' 0"	6' 0"	13"	8"	8"	374
		A2T15-A10	15' 8"	10' 4"	4' 9"	10' 0"	6' 0"	11"	8"	8"	414
		A2T18-A10	18' 5"	11' 10"	3' 10"	12' 10"	7' 4"	12"	8"	8"	462
		A2T21-A10	21' 7"	14' 1"	3' 7"	12' 10"	7' 4"	11"	8"	8"	529
	12'	A2T10-A12AC	9' 9"	6' 7"	8' 1"	6' 5"	3' 11"	11"	6"	8"	276
		A2T12-A12	12' 6"	8' 1"	7' 0"	10' 0"	6' 0"	13"	8"	8"	387
		A2T15-A12	15' 8"	10' 4"	6' 9"	10' 0"	6' 0"	11"	8"	8"	427
		A2T18-A12	18' 5"	11' 10"	5' 10"	12' 10"	7' 4"	12"	8"	8"	475
		A2T21-A12	21' 7"	14' 1"	5' 7"	12' 10"	7' 4"	11"	8"	8"	542
	15'	A2T10-A15AC	9' 9"	6' 7"	11' 2"	6' 5"	3' 11"	14"	6"	10"	336
		A2T12-A15	12' 6"	8' 1"	10' 1"	10' 0"	6' 0"	15"	8"	10"	451
		A2T15-A15	15' 8"	10' 4"	9' 9"	10' 0"	6' 0"	13"	8"	10"	491
		A2T18-A15	18' 5"	11' 11"	8' 11"	12' 10"	7' 4"	16"	8"	12"	575
		A2T21-A15	21' 7"	14' 1"	8' 8"	12' 10"	7' 4"	14"	8"	12"	642
	20'	A2T10-A20	10' 0"	6' 9"	16' 3"	6' 5"	3' 11"	14"	8"	12" *	540
		A2T12-A20	12' 7"	8' 1"	15' 1"	10' 0"	6' 0"	17"	8"	12" *	587
		A2T15-A20	15' 8"	10' 4"	14' 10"	10' 0"	6' 0"	15"	8"	12" *	627
		A2T18-A20	18' 5"	11' 11"	13' 11"	12' 10"	7' 4"	16"	8"	12" *	675
A2T21-A20		21' 7"	14' 1"	13' 8"	12' 10"	7' 4"	14"	8"	12" *	742	
1 1/2 Ton	10'	A3T10-A10	9' 11"	6' 9"	6' 1"	6' 5"	3' 11"	12"	8"	10"	359
		A3T12-A10	12' 6"	8' 1"	5' 0"	10' 0"	6' 0"	15"	8"	10"	406
		A3T15D-A10	15' 9"	10' 5"	4' 9"	10' 0"	6' 0"	13"	8"	10"	575
		A3T18D-A10	18' 5"	11' 11"	3' 10"	12' 10"	7' 4"	16"	8"	10"	623

**Notes:** \* in a beam designation means reinforced  
 A "D" in a model number means these are dual casters

A	B		C		D	E		F	G	H	
Capacity	Span	Model Number	Overall Height		Clear Span	Caster Frame Spread		Leg Clear.	Caster Dia.	I-Beam Depth	Net Wt.
			max	min		max	min				
1 1/2 Ton	12'	A3T10-A12	9' 11"	6' 9"	8' 1"	6' 5"	3' 11"	12"	8"	10"	376
		A3T12-A12	12' 6"	8' 1"	7' 0"	10' 0"	6' 0"	15"	8"	10"	423
		A3T15D-A12	15' 9"	10' 5"	6' 9"	10' 0"	6' 0"	13"	8"	10"	592
		A3T18D-A12	18' 5"	11' 11"	5' 10"	12' 10"	7' 4"	14"	8"	10"	640
	15'	A3T10-A15	10' 0"	6' 9"	11' 3"	6' 5"	3' 11"	14"	8"	12"	440
		A3T12-A15	12' 7"	8' 1"	10' 1"	10' 0"	6' 0"	17"	8"	12"	487
		A3T15D-A15	15' 9"	10' 5"	9' 10"	10' 0"	6' 0"	15"	8"	12"	656
		A3T18D-A15	18' 5"	11' 11"	8' 11"	12' 10"	7' 4"	16"	8"	12"	704
2 Ton	10'	A4T10-A10	9' 11"	6' 9"	6' 1"	6' 5"	3' 11"	12"	8"	10"	359
		A4T12-A10	12' 6"	8' 1"	5' 0"	10' 0"	6' 0"	15"	8"	10"	406
	12'	A4T10-A12	10' 0"	6' 9"	8' 3"	6' 5"	3' 11"	14"	8"	12"	407
		A4T12-A12	12' 7"	8' 1"	7' 1"	10' 0"	6' 0"	17"	8"	12"	453
	15'	A4T10-A15	10' 0"	6' 9"	11' 3"	6' 5"	3' 11"	14"	8"	12"	440
		A4T12-A15	12' 7"	8' 1"	10' 1"	10' 0"	6' 0"	17"	8"	12"	487
3 Ton	10'	A6T10-A10	10' 0"	6' 9"	6' 3"	6' 5"	3' 11"	14"	8"	12"	386
	15'	A6T10-A15	10' 0"	6' 9"	11' 3"	6' 5"	3' 11"	14"	8"	12" *	472

Notes: \* in a beam designation means reinforced  
 A "D" in a model number means these are dual casters