



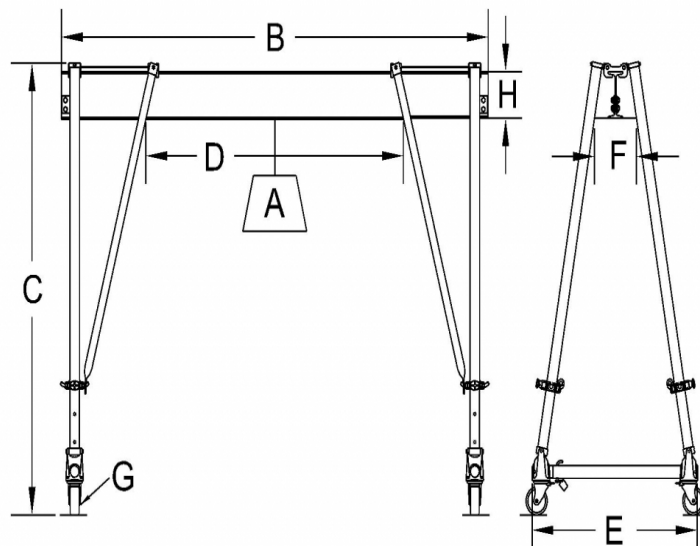
## Wallace 1 and 2 Ton Steel Tri-Adjustable Portable Cranes

Wallace portable gantry cranes are ideal for maintenance, manufacturing, repairs, and other material handling tasks. Many customers use our cranes for HVAC, assembly, and repairs of physical equipment. Some of our current users include electric utilities, municipal maintenance (including subways, buses and building facilities), hospitals, universities, research institutions and the military. With adjustable height, span and tread, our all steel Wallace Tri-Adjustable Cranes provide flexible lifting solutions. Available accessories include manual or powered trolleys and hoists, jack kits for frequent crane height adjustments, and kart kits for transporting and/or storing crane. Options for track mounting with V-groove casters and motorizing cranes are also available - click on the accessories tab for more information.

[Tri-Adjustable Round Tube Assembly and Inspection Instructions](#)

### Product Features

- I-beam spans from 10' - 35'
- Adjustable span allows inboard or outboard bracing
- Adjustable span allows cantilever configuration overhang limited to 25% of the I-beam length
- Adjustable legs permit crane height adjustments at 6" increments
  - Raise height to go over equipment, material, etc...
  - Lower height to go under low ceilings, doorways, etc...
  - Legs can be set at different heights where floor or terrain is uneven-ideal for loading from truck dock to floor or from ground level to mezzanine
- Adjustable caster tread to roll thru narrow aisles or doorways which prevents costly disassembly
  - Safety cable attached inside of caster frame tubes prevents overspreading when adjusting
- Durable construction - high quality heavy gauge steel tubing is used
- Self Aligning I-beam - Exclusive Wallace I-beam support system aligns off-center loads to avoid crane and trolley distortion
  - I-beam support system slides along the I-beam enabling leg spacing adjustments and cantilever configurations
- Height Adjusting Bolts - Main legs are equipped with spring loaded bolts permitting crane height adjustment - they can be locked out until the desired height is reached, then unlocked to engage automatically
- Casters equipped with 4 position swivel lock - when locked 90 degrees with each other, they position crane more firmly than a break
  - Lock "lead" casters and unlock trailing casters to easily move and steer crane
  - Alternate steel V-grooved casters are available for use on angle iron track
- Completely portable - Stress-proof steel pins with locking rings provide quick assembly and disassembly
  - The optional "Kart Kit" is available and transforms your disassembled crane to a cart which allows easy transportation and storage



Tri-Adjustable Round Tube Dimensional Sketch - [Click to enlarge](#)

## Crane Sizes and Model Numbers

A	B		C		D	E		F	G	H	
Capacity	Span	Model Number	Overall Height		Clear Span	Caster Frame Spread		Leg Clear.	Caster Dia.	I-Beam Depth	Ship Wt.
			max	min		max	min				
1 Ton	10'	S2T10-S10AC	9'9"	6'7"	6'0"	6'5"	3'11"	10"	6"	6"	471
		S2T12-S10AC	12'4"	7'10"	5'0"	10'0"	6'0"	11"	6"	6"	553
		S2T15-S10AC	15'6"	10'2"	4'9"	10'0"	6'0"	10"	6"	6"	616
		S2T18-S10AC	18'6"	11'11"	3'9"	12'11"	7'5"	10"	8"	6"	1075
		S2T21-S10AC	21'8"	14'3"	3'6"	12'11"	7'5"	9"	8"	6"	1045
	15'	S2T10-S15AC	9'9"	6'7"	11'1"	6'5"	3'11"	11"	6"	8"	624
		S2T12-S15AC	12'4"	7'10"	10'1"	10'0"	6'0"	13"	6"	8"	706
		S2T15-S15AC	15'6"	10'2"	9'10"	10'0"	6'0"	11"	6"	8"	769
		S2T18-S15AC	18'6"	12'0"	8'10"	12'11"	7'5"	12"	8"	8"	1227
		S2T21-S15AC	21'8"	14'3"	8'7"	12'11"	7'5"	11"	8"	8"	1197
	20'	S2T12-20SAC	12'4"	7'10"	15'0"	10'0"	6'0"	14"	6"	8"	801
		S2T15-20SAC	15'6"	10'2"	14'0"	10'0"	6'0"	12"	6"	8"	864
		S2T18-20SAC	18'6"	12'0"	13'10"	12'11"	7'5"	12"	8"	8"	1322
		S2T21-20SAC	21'8"	14'3"	13'7"	12'11"	7'5"	11"	8"	8"	1293
	25'	S2T12-25SAC	12'5"	7'11"	20'1"	10'0"	6'0"	16"	6"	10"	1071
		S2T15-25SAC	15'10"	10'6"	19'9"	10'0"	6'0"	14"	8"	10"	1472
		S2T18-25SAC	18'7"	12'0"	18'10"	12'11"	7'5"	14"	8"	10"	1593
		S2T21-25SAC	21'8"	14'3"	18'7"	12'11"	7'5"	13"	8"	10"	1563
	30'	S2T12-30SAC	12'5"	7'11"	24'4"	10'0"	6'0"	20"	6"	15"	1732
		S2T15-S30AC	15'11"	10'5"	25'0"	10'0"	6'0"	17"	8"	15"	2131
		S2T18-S30AC	18'7"	12'0"	24'1"	12'11"	7'5"	18"	8"	15"	2268
		S2T21-S30AC	21'9"	14'3"	23'9"	12'11"	7'5"	16"	8"	15"	2238
	35'	S2T12-35SAC	12'9"	8'3"	30'2"	10'0"	6'0"	20"	8"	15"	2163
		S2T15-35SAC	15'11"	10'6"	30'1"	10'0"	6'0"	18"	8"	15"	2346
		S2T18-35SAC	18'7"	12'0"	29'1"	12'11"	7'5"	19"	8"	15"	2483
		S2T21-35SAC	21'8"	14'3"	28'9"	12'11"	7'5"	17"	8"	15"	2453

A	B		C		D	E		F	G	H	
Capacity	Span	Model Number	Overall Height		Clear Span	Caster Frame Spread		Leg Clear.	Caster Dia.	I-Beam Depth	Ship Wt.
			max	min		max	min				
2 Ton	10'	S4T10-S10AC	9'9"	6'7"	6'1"	6'5"	3'11"	11"	6"	8"	532
		S4T12-S10AC	12'4"	7'10"	5'1"	10'0"	6'0"	13"	6"	8"	614
		S4T15-S10AC	15'10"	10'6"	4'9"	10'0"	6'0"	11"	8"	8"	998
		S4T18-S10AC	18'7"	12'0"	3'10"	12'11"	7'5"	12"	8"	8"	1135
		S4T21-S10AC	21'8"	14'3"	3'7"	12'11"	7'5"	11"	8"	8"	1105
	15'	S4T10-S15AC	9'9"	6'7"	11'2"	6'5"	3'11"	13"	6"	10"	735
		S4T12-S15AC	12'4"	7'11"	10'2"	10'0"	6'0"	15"	6"	10"	817
		S4T15-S15AC	15'10"	10'6"	9'10"	10'0"	6'0"	13"	8"	10"	1202
		S4T18-S15AC	18'7"	12'0"	8'10"	12'11"	7'5"	14"	8"	10"	1355
		S4T21-S15AC	21'8"	14'3"	8'8"	12'11"	7'5"	13"	8"	10"	1309
	20'	S4T12-20SAC	12'8"	8'2"	15'0"	10'0"	6'0"	16"	8"	10"	1146
		S4T15-20SAC	15'10"	10'6"	14'9"	10'0"	6'0"	14"	6"	10"	1329
		S4T18-20SAC	18'7"	12'0"	13'10"	12'11"	7'5"	15"	8"	10"	1466
		S4T21-20SAC	21'8"	14'3"	13'7"	12'11"	7'5"	13"	8"	10"	1436
	25'	S4T12-S25AC	12'8"	8'3"	20'2"	10'0"	6'0"	20"	8"	15"	1733
		S4T15-S25AC	15'10"	10'6"	20'0"	10'0"	6'0"	17"	8"	15"	1916
		S4T18-S25AC	18'7"	12'0"	19'1"	12'11"	7'5"	16"	8"	15"	2053
		S4T21-S25AC	21'8"	14'3"	18'9"	12'11"	7'5"	18"	8"	15"	2032
	30'	S4T12-S30AC	12'8"	8'3"	25'4"	10'0"	6'0"	22"	8"	18"	2291
		S4T15-S30AC	15'10"	10'6"	25'1"	10'0"	6'0"	19"	8"	18"	2474
		2T19-S30AC	19'1"	12'2"	24'5"	11'4"	7'10"	17"	8"	18"	3070
		2T24-S30AC	23'7"	15'2"	23'2"	13'11"	9'5"	17"	8"	18"	3460
	35'	S4T12-35SAC	12'9"	8'3"	30'4"	10'0"	6'0"	23"	8"	18"	2551
		S4T15-35SAC	15'11"	10'6"	30'1"	10'0"	6'0"	20"	8"	18"	2753
		2T19-35SAC	19'1"	12'2"	29'5"	11'4"	7'10"	17"	8"	18"	3349
		2T24-35SAC	23'7"	15'2"	28'2"	13'11"	9'5"	17"	8"	18"	3739