

1/25/2017

PARTS LIST  
www.wallacecranes.com

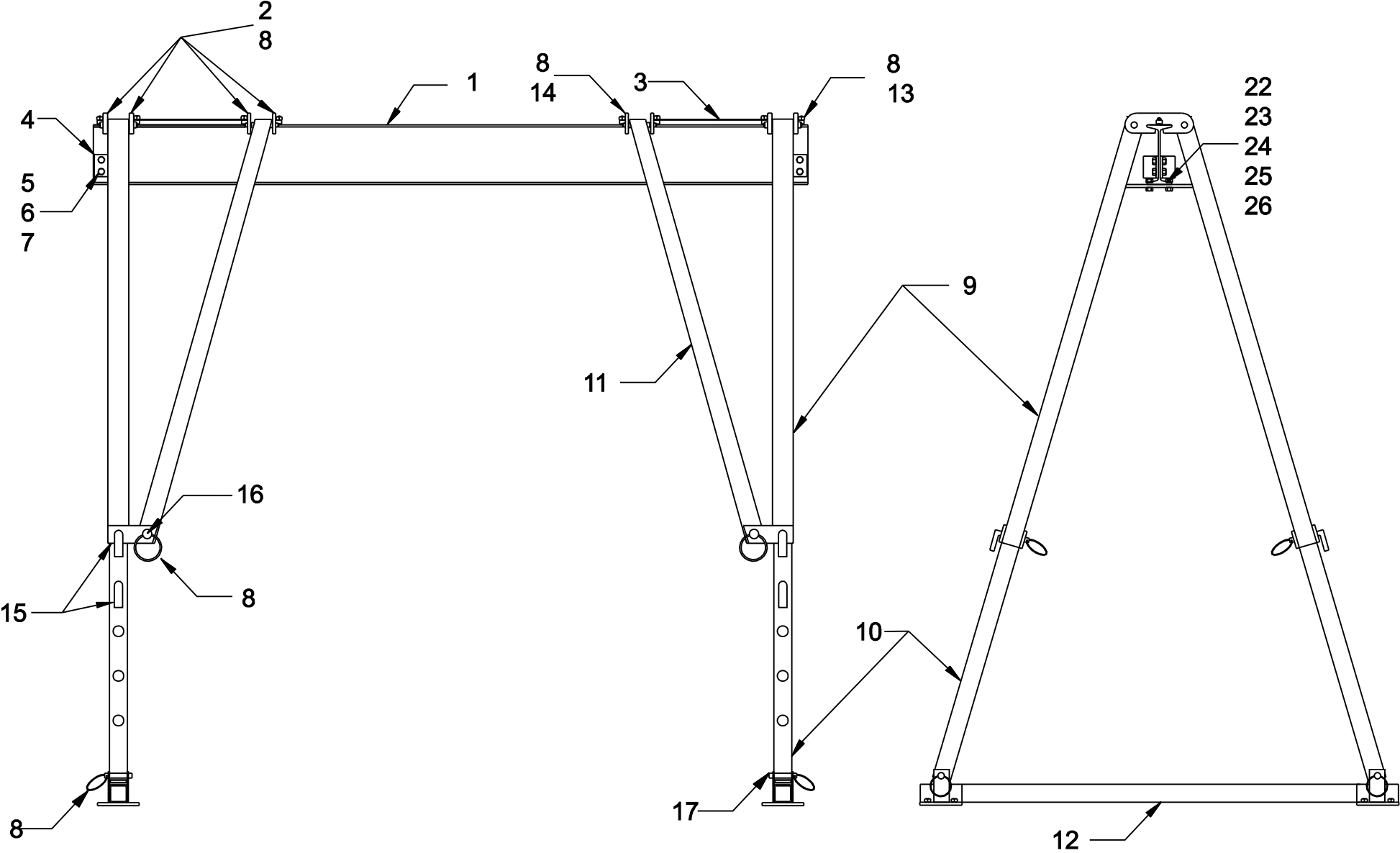
---

MODEL NUMBER 5-08M-10

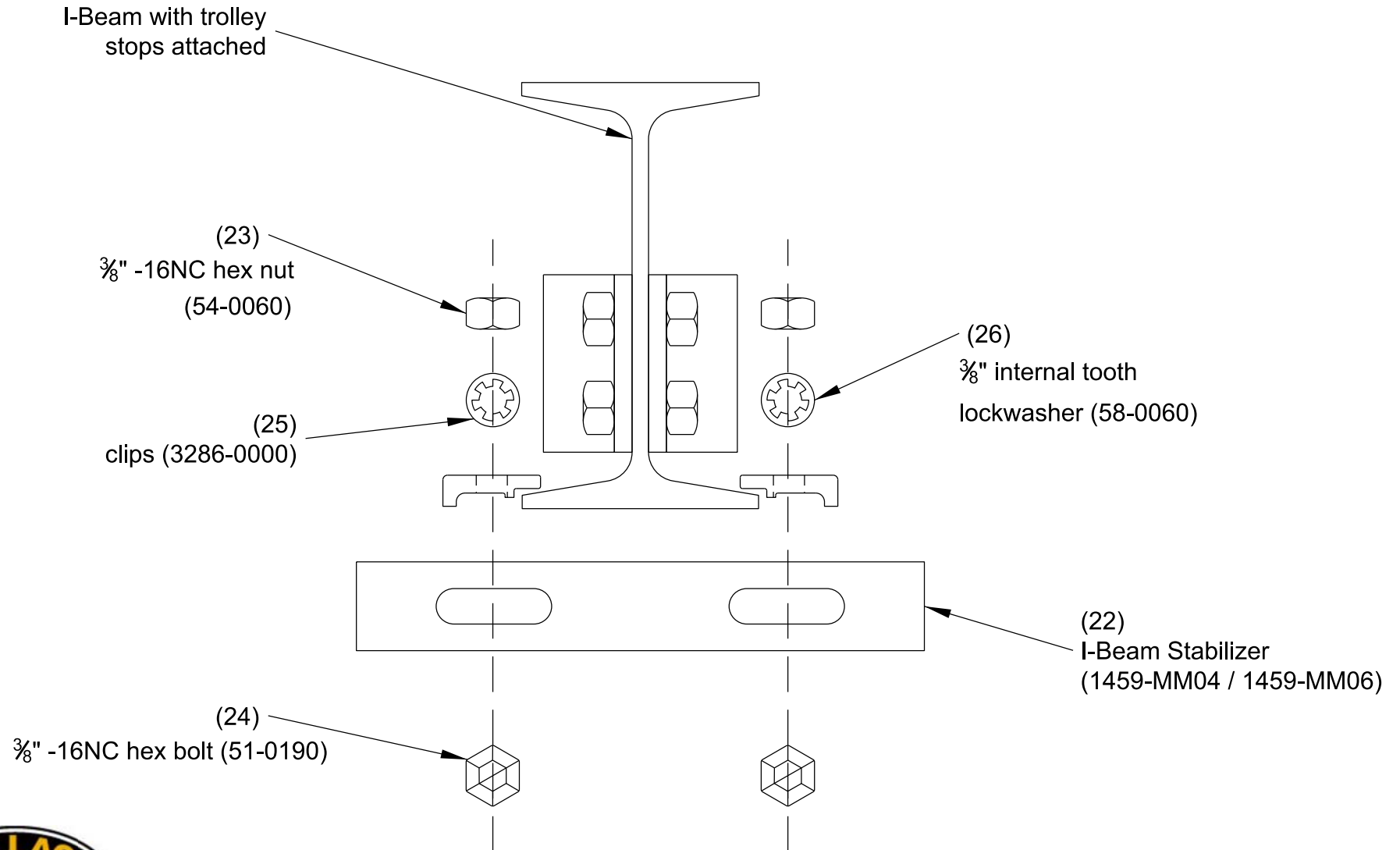
ITEM NO.	PART DESCRIPTION	PART NUMBER	QUAN.
1	I-BEAM	749-0100	1
2	I-BEAM BRACKET <sup>1</sup>	6051-0400	8
3	SPACE BAR	1744-0009	2
4	TROLLEY STOP ANGLE	6054-0000	4
5	TROLLEY STOP BOLT	51-0180	4
6	TROLLEY STOP NUT	54-0060	4
7	TROLLEY STOP LOCKWASHER	58-0060	4
8	SAFETY KEY RING & TAG ASS'Y	82-0030-1969	26
9	UPPER MAIN LEG 2"	6055-0080	4
10	LOWER MAIN LEG 1-3/4"	6056-0080	4
11	BRACE LEG 2"	6053-0080	4
12	CASTER FRAME 2"	6052-0080	2
13	MAIN LEG SUPPORT PIN 1/2" X 4" LG	6060-0001	4
14	BRACE LEG SUPPORT PIN 1/2" X 4-3/16 LG	6060-0002	4
15	LOAD PIN 1/2" DIA.	6061-0000	8
16	BRACE LEG PIN 1/2" X 3-1/2" LG	6060-0003	4
17	CASTER FRAME PIN 1/2" X 3-1/4" LG	6060-0004	4
18	SWIVEL CASTER	N/A	
19	CASTER BOLT 3/8"-16NC X 1-1/2"	N/A	
20	CASTER NUT 3/8"-16NC	N/A	
21	CASTER LOCKWASHER 3/8"	N/A	
22	I-BEAM STABILIZER	1459-MM04	2
23	I-BEAM STABILIZER NUT 3/8"-16NC	54-0060	4
24	I-BEAM STABILIZER BOLT 3/8"-16NC X 1"	51-0190	4
25	I-BEAM STABILIZER CLIP	3286-0000	4
26	I-BEAM STABILIZER LOCKWASHER 3/8"	58-0060	4

<sup>1</sup> = INCLUDES A SET SCREW (63-0100) & HEX NUT (54-0100)

Wallace Products Corp.  
Mighty-Mite  
Parts Location Diagram



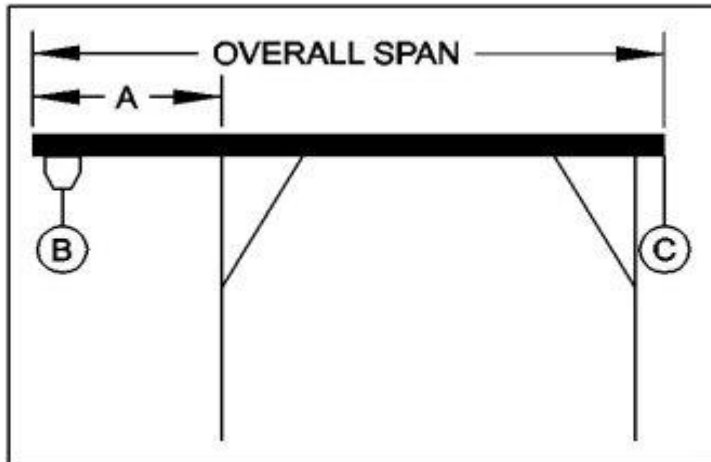
# Wallace Cranes Mighty Mite I-Beam Stabilizer Parts Location Diagram





## WALLACE CRANES PORTABLE CRANE CANTILEVER CHART

GANTRY MODEL NUMBER:	5-08M-10
I-BEAM:	S4" X 7.7#/' X 10'
I-BEAM LENGTH (OVERALL SPAN):	120 Inches
MAXIMUM CANTILEVER DISTANCE (A):	30 Inches
GANTRY RATED CAPACITY:	500 Lbs.
MAXIMUM CANTILEVERED LOAD (B):	300 Lbs.
GANTRY WEIGHT:	318 Lbs.
I-BEAM WEIGHT:	80 Lbs.



**PROPER CANTILEVER PROCEDURES**  
Required counterweight should not be supported by gantry caster frame.

Load and trolley should be able to freely traverse the I-beam through the main legs and brace legs of the gantry.

### REQUIRED COUNTERWEIGHT AT [C]

A	B	B	B
IN	100	200	300
FEET	LBS.	LBS.	LBS.
1	0	0	0
2	0	0	1
2.5	0	0	54