

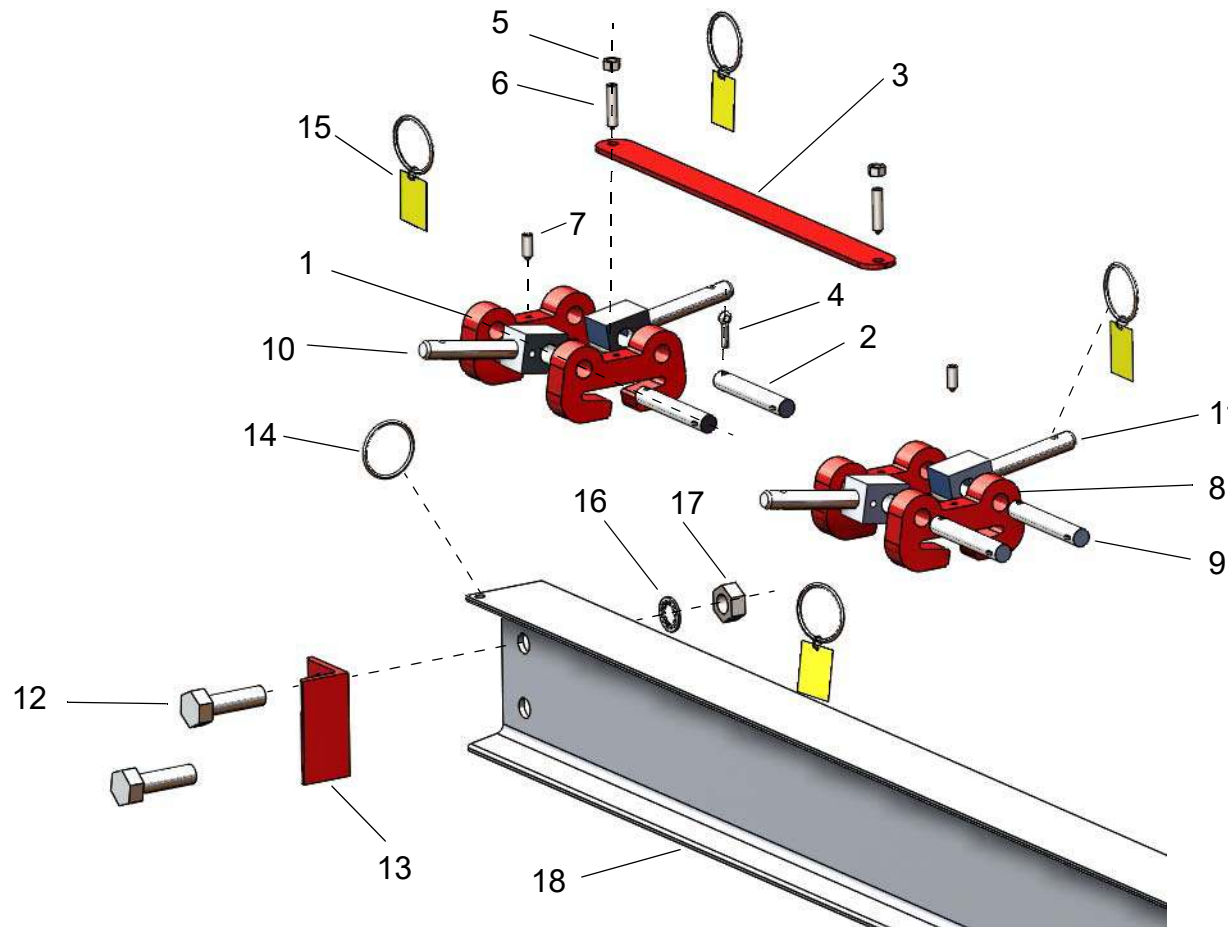
MODEL NUMBER S4T12-S30AC

ITEM NO.	PART DESCRIPTION	PART NUMBER	QUAN.
1	MAIN LEG BRACKET	3280-0000	4
2	SUPPORT PIN 11/16 DIA. X 4 9/16 LG.	5017-0004	4
3	SPACER BAR 26 3/8 LG.	1744-0005	2
4	COTTER PIN 1/4 X 1 1/4 LG.	60-0070	8
5	NEX. NUT 3/8-24NC	54-0100	4
6	SOC. SET SCREW 3/8-24NF X 1 3/4 LG.	63-0110	4
7	SOC. SET SCREW 3/8-24NF X 1 LG.	63-0100	4
8	LEG BRACE BRACKET	1765-0000	4
9	SUPPORT PIN 11/16 DIA. X 4 1/8 LG.	2853-0000	4
10	MAIN LEG SWIVEL PIN	1559-0000	4
11	LEG BRACE SWIVEL PIN	1563-0000	4
12	HEX. HD. BOLT 3/4-10NC X 2 1/2 LG.	51-0480	4
13	TROLLEY STOP ANGLE	5132-0000	4
14	KEY RING 2 1/4 OD.	82-0030	10
15	CAUTION TAG No. 399	1969-RING	12
16	LOCK WASHER INT. TOOTH 3/4	58-0040	4
17	HEX. NUT 3/4-10NC	54-0040	4
18	I BEAM STL. 18" X 30' LG.	769-0300	1
19	LEG BRACE ASSEMBLY	1543-0080	4
20	MAIN LEG ASSEMBLY	1665-0081	4
21	UPPER MAIN LEG	1666-0080	4
22	ROLL PIN 5/32 X 3/4 LG.	61-0300	4
23	LOAD PIN	3016-0000	4
24	EXTENSION SPRING	1017-0000	8
25	LOWER MAIN LEG	1662-0080	4
26	CASTER FRAME ASSEMBLY	699-0030	2
27	LOWER MAIN LEG PIN ASSEMBLY	1999-0000	4
28	HEX. HD. BOLT 1/2-13NC X 5 1/2 LG.	51-0470	4
29	SAFETY CABLE ASS'Y 121" LG.	1967-0020	2
30	OUTER CASTER FRAME TUBE	700-0030	2
31	CASTER FRAME ADJUSTMENT PIN	1392-0000	2
32	INNER CASTER FRAME TUBE	701-0030	2
33	CASTER CASTING FOR INNER TUBE	2630-0000	2
34	CASTER CASTING FOR OUTER TUBE	2629-0000	2
35	LOCK WASHER INT. TOOTH 1/2	58-0020	4
36	HEX. NUT 1/2-13NC	54-0050	4
37	HEX. HD. BOLT 1/2-13NC X 1-1/2" LG.	51-0290	16
38	LOCK WASHER INT. TOOTH 1/2	58-0020	16
39	HEX. NUT 1/2-13NC	54-0050	16
40	CASTER WHEEL 8" DIA.	47-81NB	4
41	SAFETY STOP ASSEMBLY	3112-0001	4



# Wallace Cranes Parts Location

## Round Tube Tri-Adjustable

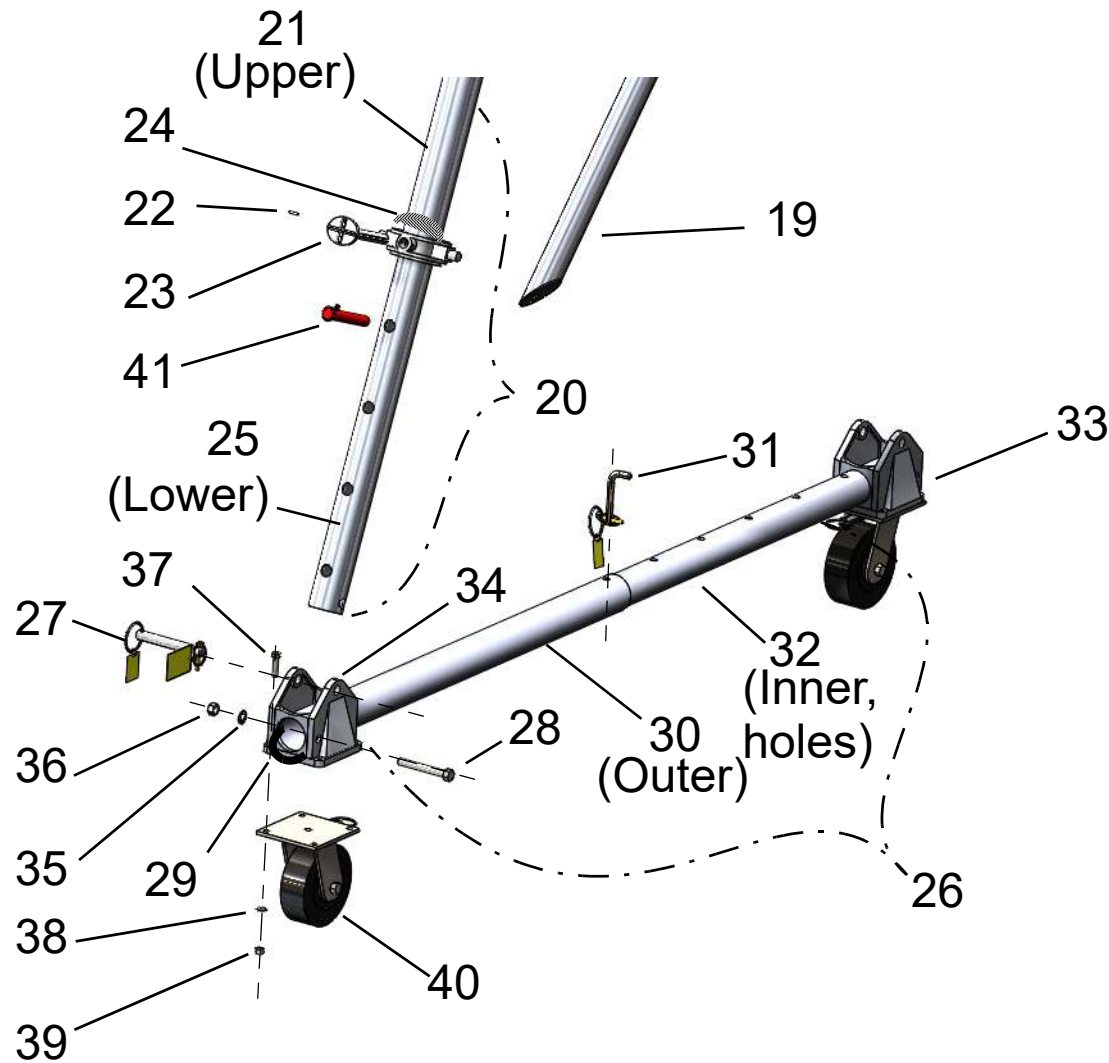


Item No.	Part Desc.
1	Main leg bracket
2	Support Pin
3	Spacer bar
4	Cotter Pin
5	Hex Nut
6	Set Screw (long)
7	Set Screw (short)
8	Brace Leg Bracket
9	Support Pin
10	Main Leg Swivel Pin
11	Leg Brace Swivel Pin
12	Hex Bolt
13	Trolley Stop Angle
14	Key Ring
15	Caution Tag (399)
16	Lock washer (internal tooth)
17	Hex Nut
18	I-Beam

Wallace Cranes  
71 N Bacton Hill Rd.  
Malvern, PA 19355



[www.wallacecranes.com](http://www.wallacecranes.com)  
800-553-5438  
©2017 All rights reserved



Caster Frame Assembly  
Parts Location

Wallace Cranes  
71 N Bacton Hill Rd.  
Malvern, PA 19355

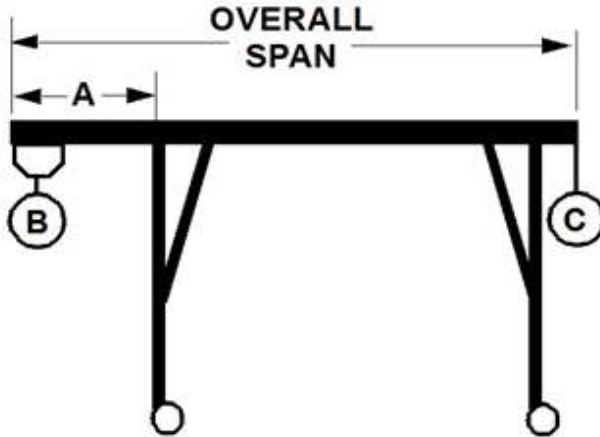


www.wallacecranes.com  
800-553-5438  
©2017 All rights reserved



## WALLACE CRANES PORTABLE CRANE CANTILEVER CHART

GANTRY MODEL NUMBER: S4T12-S30AC  
 I-BEAM: S18" X 54.7#/' X 30'  
 I-BEAM LENGTH (OVERALL SPAN): 360 Inches  
 MAXIMUM CANTILEVER DISTANCE (A): 90 Inches  
 GANTRY RATED CAPACITY: 4,000 Lbs.  
 MAXIMUM CANTILEVERED LOAD (B): 2400 Lbs.  
 GANTRY WEIGHT: 2291 Lbs.  
 I-BEAM WEIGHT: 1641 Lbs.



**PROPER CANTILEVER PROCEDURES**  
 Required counterweight should not be supported by gantry caster frame.

Load and trolley should be able to freely traverse the I-beam through the main legs and brace legs of the gantry.

### REQUIRED COUNTERWEIGHT AT [C]

A IN FEET	B 300 LBS.	B 600 LBS.	B 900 LBS.	B 1200 LBS.	B 1500 LBS.	B 1800 LBS.	B 2100 LBS.	B 2400 LBS.
1	0	0	0	0	0	0	0	0
2	0	0	0	0	0	0	0	0
3	0	0	0	0	0	0	0	0
4	0	0	0	0	0	0	0	0
5	0	0	0	0	0	0	0	0
6	0	0	0	0	0	0	109	259
7	0	0	0	0	17	199	382	565
7.5	0	0	0	0	128	328	528	728