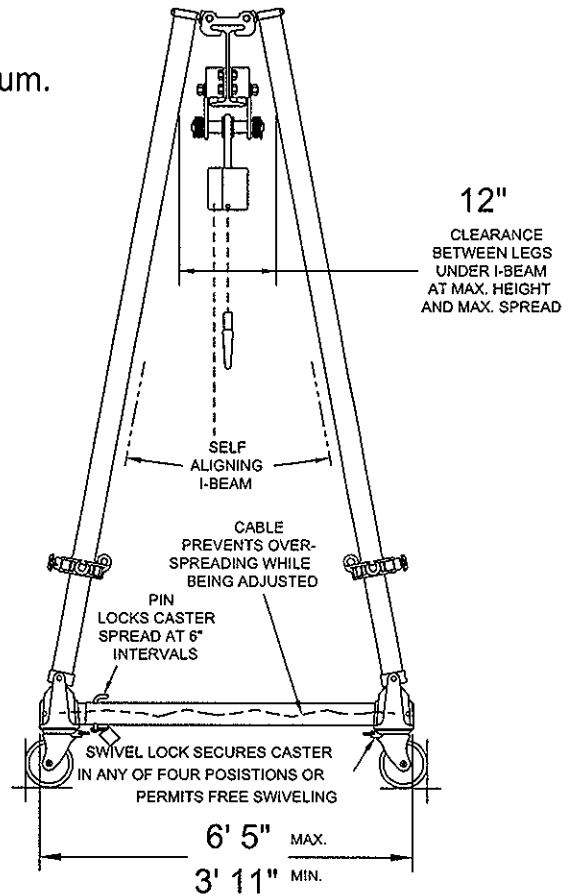


10" Alum.



Aluminum Round Tube Frames and I-Beam

All Dimensions are  $\pm 1/2"$

MODEL No. A3T10-A12

© Copyright Wallace Cranes 2014. All rights reserved.



UNLESS OTHERWISE SPECIFIED DIMENSIONS ARE IN INCHES TOLERANCES ON				Wallace Cranes MALVERN, PENNSYLVANIA			
FRACTION ±1/2"	DECIMAL ±0.5"	DATE 8-25-14	CHECKER J. Finkel	TITLE TRI-ADJUSTABLE GANTRY R.D.			
CONVERTED TO CAD DRAWING	DATE	INT.	APPROVAL	SCALE NTS	WT.	DWG C SIZE	DRAWING No. REV.
REVISIONS							