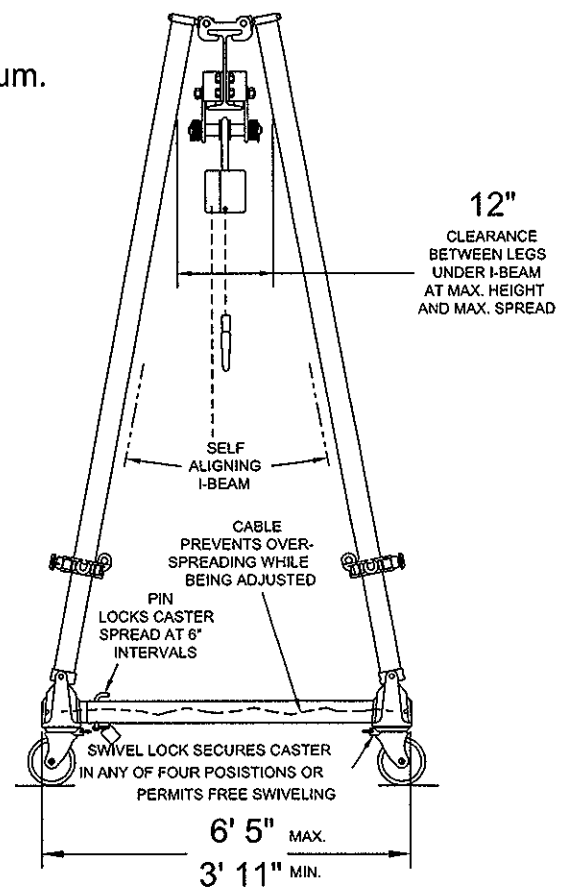


10" Alum.



All Dimensions are  $\pm 1/2"$

Aluminum Round Tube Frames and Aluminum I-Beam

© Copyright Wallace Cranes 2015. All rights reserved.



MODEL No. A4T10-A10

UNLESS OTHERWISE SPECIFIED DIMENSIONS ARE IN INCHES TOLERANCES ON		FRACTION		DECIMAL		TITLE	
		1/32		0.031		TRI-ADJUSTABLE GANTRY R.D.	
DRAWN BY J. Finkel		DATE 11-3-15		SCALE NTS		DWG C	
CHECKER		APPROVAL		SCALE		REV	
DESCRIPTION		DATE		WT.		DRAWING No.	
REVISIONS							

Wallace Cranes  
MALVERN, PENNSYLVANIA