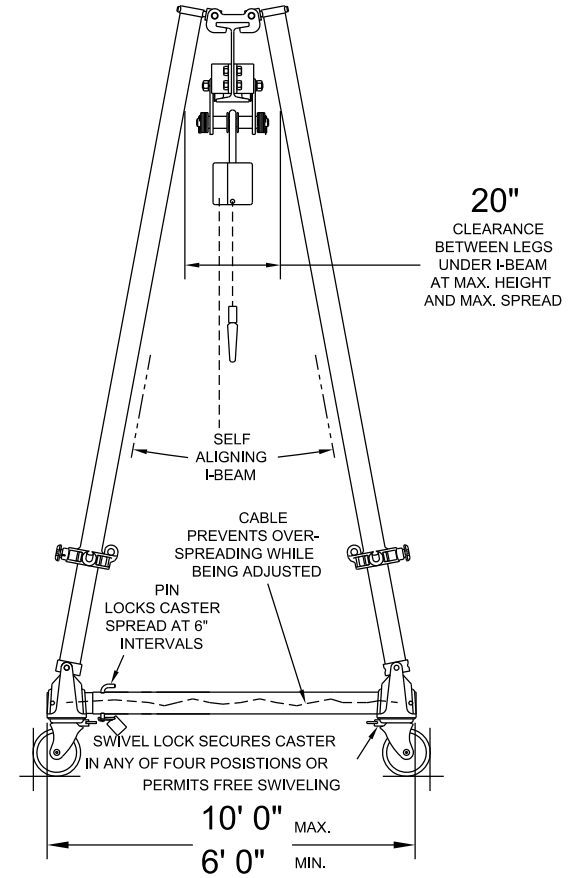


15" Stl.



Round Tube Steel Frames and Steel I-Beam

All Dimensions are $\pm 1/2"$

MODEL No. S2T12-30SAC

© Copyright Wallace Cranes 2017. All rights reserved.



| | | | | | | | | | | | | | | | |
|----------------------------|--|---------|--|--------------------------|--|---------|--|-------------------------------------|--|---------|--|--------------|--|---------|--|
| UNLESS OTHERWISE SPECIFIED | | | | DIMENSIONS ARE IN INCHES | | | | TOLERANCES ON | | | | | | | |
| FRACTION | | DECIMAL | | FRACTION | | DECIMAL | | FRACTION | | DECIMAL | | FRACTION | | DECIMAL | |
| ±1/2" | | ±0.5" | | ±1/2" | | ±0.5" | | ±1/2" | | ±0.5" | | ±1/2" | | ±0.5" | |
| DRAWN BY J. Finkel | | | | DATE 2-22-17 | | | | DRAWING No. | | | | REV. | | | |
| CHECKER | | | | APPROVAL | | | | TITLE TRI-ADJUSTABLE GANTRY R.D. | | | | SCALE NTS | | | |
| SYM. | | | | DESCRIPTION | | | | DATE | | | | INT. | | | |
| REVISIONS | | | | | | | | | | | | | | | |

Wallace Cranes
MALVERN, PENNSYLVANIA

SCALE
NTS

WT.
C

DWG
C

DRAWING No.

REV.