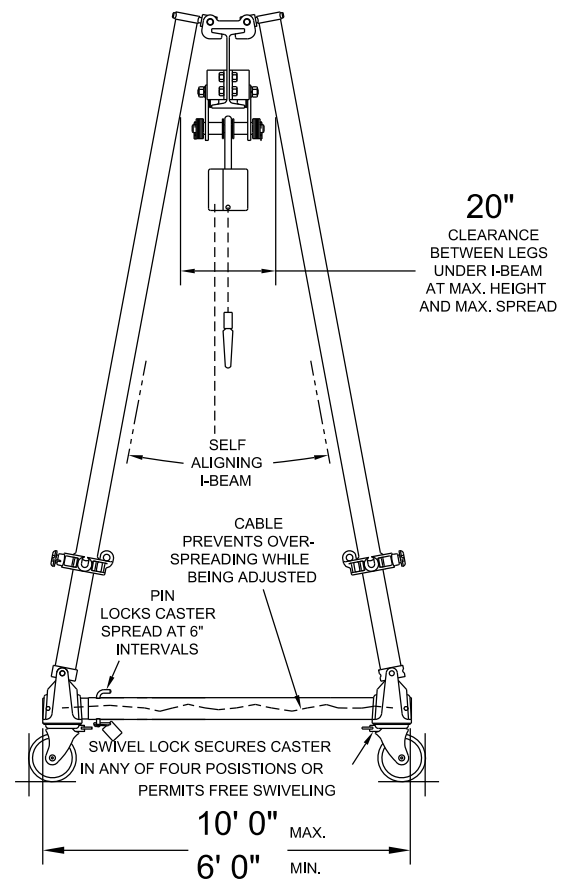


15"
Stl.



Round Tube Steel Frames and Steel I-Beam

All Dimensions are $\pm 1/2''$

MODEL No. S2T12-35SAC

© Copyright Wallace Cranes 2017. All rights reserved.



UNLESS OTHERWISE SPECIFIED DIMENSIONS ARE IN INCHES TOLERANCES ON FRACTION DECIMAL $\pm 1/2''$ $\pm 0.5''$				Wallace Cranes MALVERN, PENNSYLVANIA			
DRAWN BY J. Finkel CHECKER DATE 2-22-17				TRI-ADJUSTABLE GANTRY R.D.			
CONVERTED TO CAD DRAWING				SCALE	WT.	DWG C SIZE	DRAWING No.
SYM. DESCRIPTION DATE INT. APPROVAL REVISIONS				NTS			