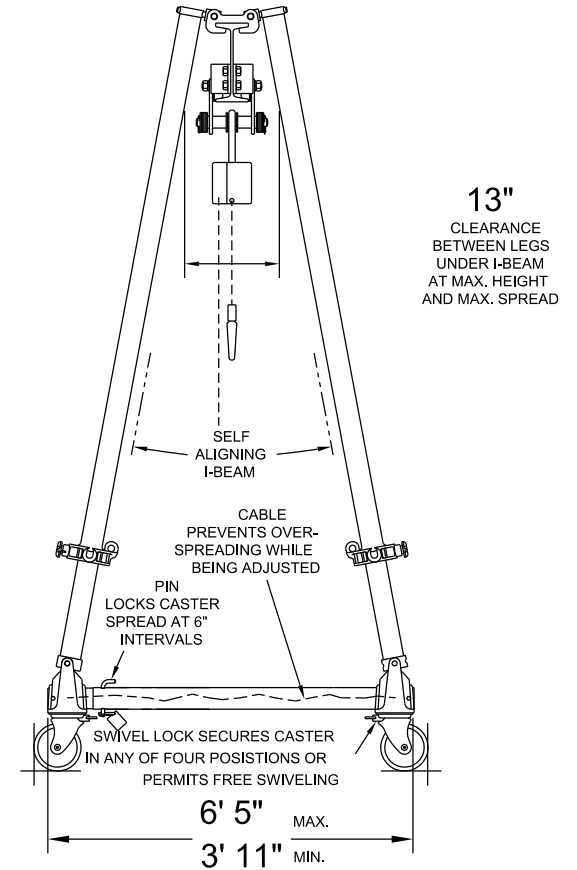


8"
Alu.



Round Tube Steel Frames and Aluminum I-Beam

All Dimensions are $\pm 1/2$ "

MODEL No. S2T12-A10AC

© Copyright Wallace Cranes 2017. All rights reserved.



UNLESS OTHERWISE SPECIFIED DIMENSIONS ARE IN INCHES TOLERANCES ON				Wallace Cranes MALVERN, PENNSYLVANIA			
FRACTION		DECIMAL		TITLE			
1/16"		.015"		TRI-ADJUSTABLE GANTRY R.D.			
DRAWN BY J. Finkel		DATE 2-21-17		SCALE		WT.	
CHECKER		APPROVAL		NTS		DWG C SIZE	
CONVERTED TO CAD DRAWING				DRAWING No.			
REVISIONS				REV.			