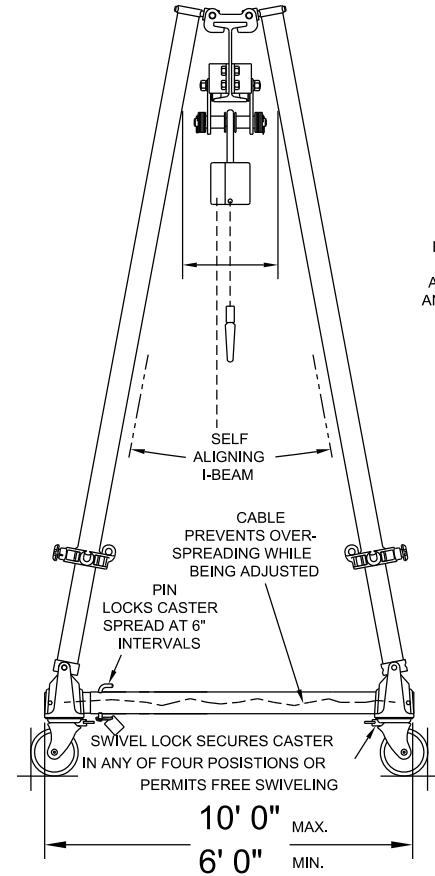


10"
Stl.



15"
CLEARANCE
BETWEEN LEGS
UNDER I-BEAM
AT MAX. HEIGHT
AND MAX. SPREAD

Round Tube Steel Frames and Steel I-Beam

All Dimensions are $\pm 1/2"$

MODEL No. S2T12-S15AC

© Copyright Wallace Cranes 2017. All rights reserved.



UNLESS OTHERWISE SPECIFIED DIMENSIONS ARE IN INCHES TOLERANCES ON				Wallace Cranes MALVERN, PENNSYLVANIA	
FRACTION		DECIMAL			
$\pm 1/2"$		$\pm 0.5"$		TITLE	
DRAWN BY J. Finkel		DATE 2-22-17		TRI-ADJUSTABLE GANTRY R.D.	
CHECKER		APPROVAL		SCALE	WT.
REVISIONS				NTS	DWG C SIZE
				DRAWING No.	REV.