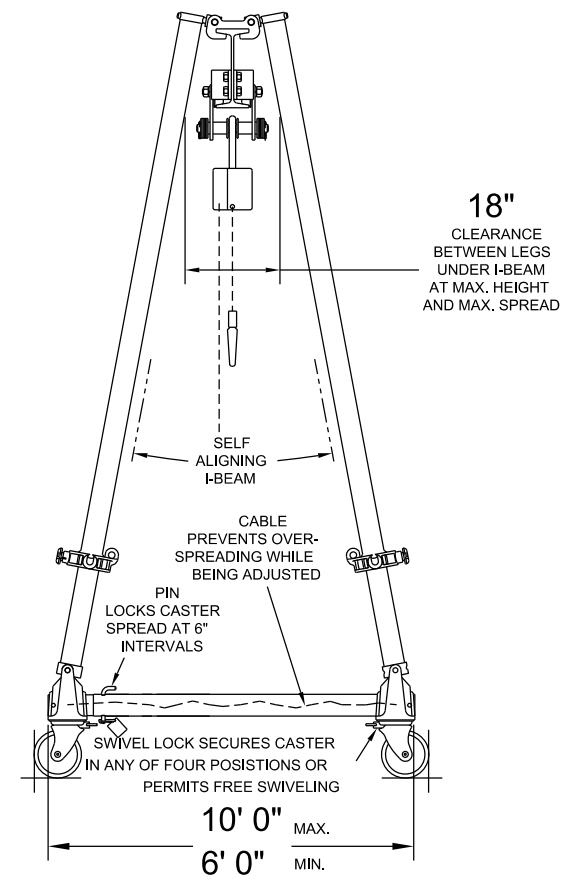


15"  
Stl.



Phenolic Composition Casters, 8" Dia.,  
4-Pos. Swivel Locks

Round Tube Steel Frames and Steel I-Beam

All Dimensions are  $\pm 1/2"$

MODEL No. S2T15-35SAC

© Copyright Wallace Cranes 2017. All rights reserved.



UNLESS OTHERWISE SPECIFIED DIMENSIONS ARE IN INCHES TOLERANCES ON		FRACTION		DECIMAL		TITLE	
		1/16"		0.0157		TRI-ADJUSTABLE GANTRY R.D.	
DRAWN BY J. Finkel		DATE 2-22-17		SCALE NTS		DWG. NO. C	
CHECKER		APPROVAL		DRAWING No.		REV.	
CONVERTED TO CAD DRAWING		REVISIONS					