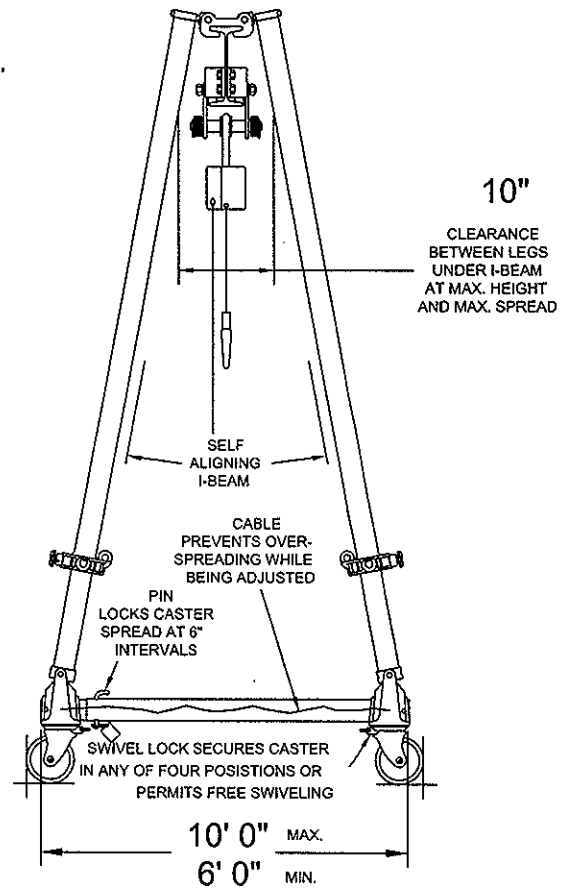


6" Stl.



Steel Frames and I-Beam

NOTE:
All dimensions shown are $\pm 1/2$ "

© Copyright Wallace Cranes 2016. All rights reserved.



MODEL No. S2T15-S10AC

UNLESS OTHERWISE SPECIFIED DIMENSIONS ARE IN INCHES TOLERANCES ON FRACTION DECIMAL $\pm 1/2$ " ± 0.5 "				Wallace Cranes MALVERN, PENNSYLVANIA			
DRAWN BY J. Finkel				DATE 2-18-16			
CHECKER				TITLE TRI-ADJUSTABLE GANTRY R.D.			
APPROVAL				SCALE NTS		DWG C	
REVISIONS				DWG SIZE		DRAWING No.	
				REV.			