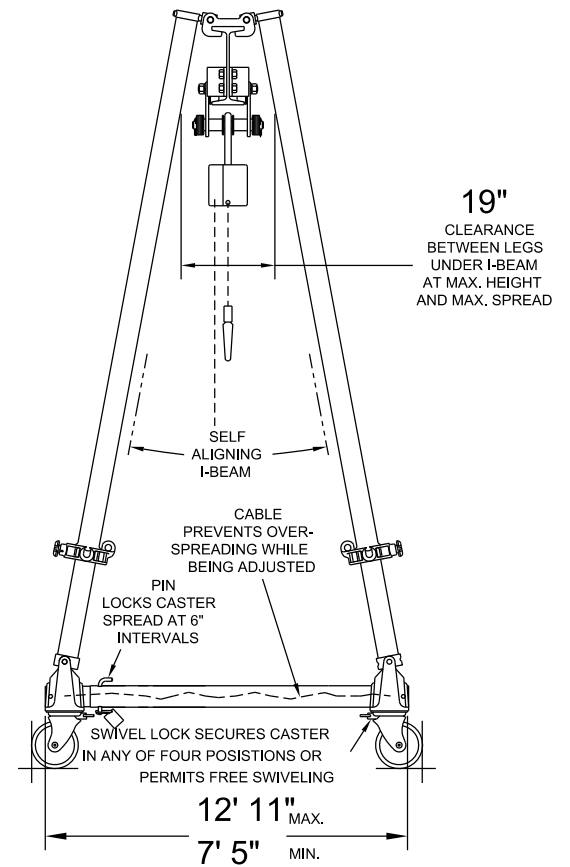


15"  
Stl.



Phenolic Composition Casters, 8" Dia.,  
4-Pos. Swivel Locks

Round Tube Steel Frames and Steel I-Beam

All Dimensions are  $\pm 1/2"$

MODEL No. **S2T18-35SAC**

© Copyright Wallace Cranes 2017. All rights reserved.



UNLESS OTHERWISE SPECIFIED DIMENSIONS ARE IN INCHES TOLERANCES ON				<b>Wallace Cranes</b> MALVERN, PENNSYLVANIA <b>TRI-ADJUSTABLE GANTRY R.D.</b>			
FRACTION	DECIMAL	DATE	INT.				
$\pm 1/2"$	0.015"	2-22-17		NTS			
CHECKER	DATE	APPROVAL	REV.				
J. Finkel							
CONVERTED TO CAD DRAWING							
DESCRIPTION	DATE	INT.	APPROVAL				
REVISIONS							