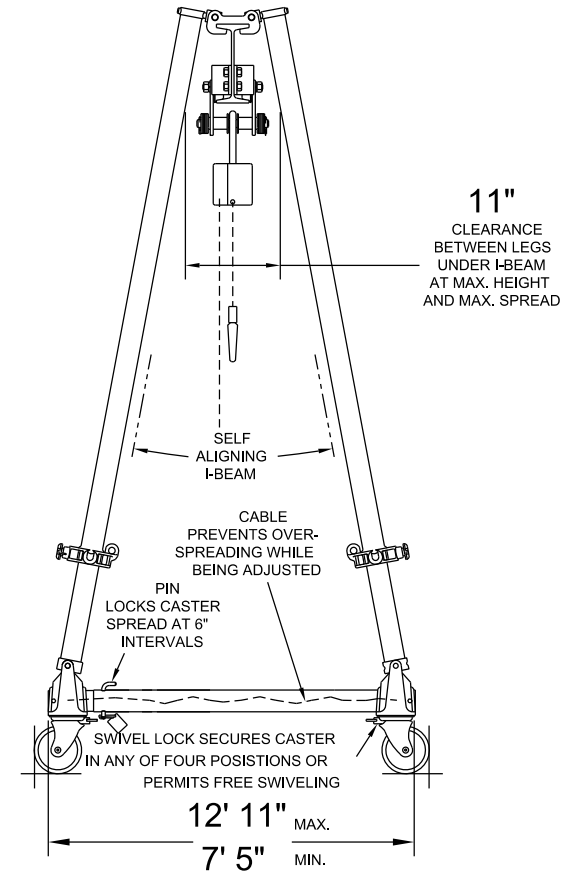


8"
Alu.



Round Tube Steel Frames and Aluminum I-Beam

All Dimensions are $\pm 1/2$ "

MODEL No. S2T21-A10AC

© Copyright Wallace Cranes 2017. All rights reserved.



UNLESS OTHERWISE SPECIFIED DIMENSIONS ARE IN INCHES TOLERANCES ON FRACTION DECIMAL $\pm 1/2$ " ± 0.5 "				Wallace Cranes MALVERN, PENNSYLVANIA			
DRAWN BY J. Finkel		DATE 3-15-17		TITLE TRI-ADJUSTABLE GANTRY R.D.			
CHECKER		APPROVAL		SCALE NTS	WT.	DWG C SIZE	DRAWING No.
REVISIONS						REV.	