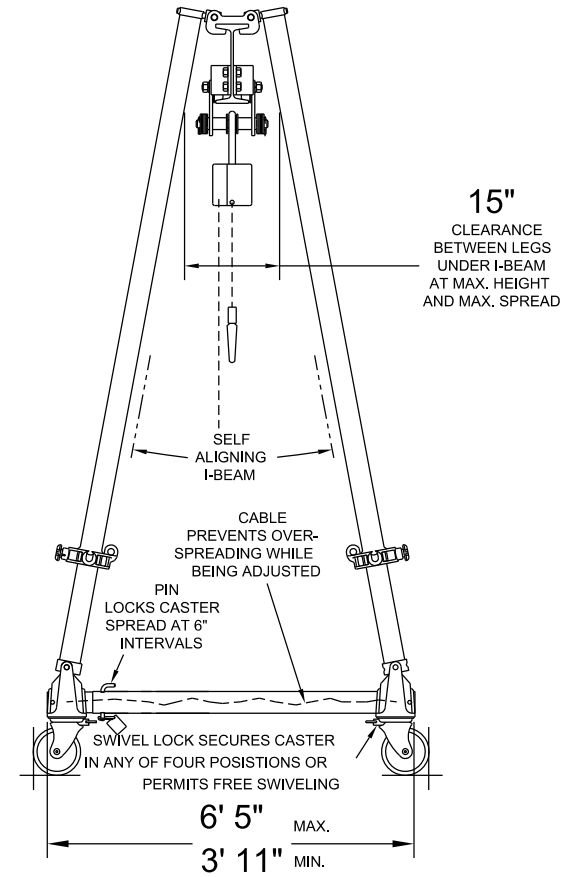


12"
Alu.



Round Tube Steel Frames and Aluminum I-Beam

All Dimensions are $\pm 1/2"$

MODEL No. S4T10-A15AC

© Copyright Wallace Cranes 2017. All rights reserved.



SYN	DESCRIPTION	DATE	INT.
REVISIONS			

UNLESS OTHERWISE SPECIFIED	
DIMENSIONS ARE IN INCHES	
TOLERANCES ON	
FRACTION	DECIMAL
$\pm 1/2"$	$\pm 0.5"$
DRAWN BY J. Flnkel	DATE 2-21-17
CHECKER	APPROVAL

Wallace Cranes MALVERN, PENNSYLVANIA				
TITLE TRI-ADJUSTABLE GANTRY R.D.				
SCALE NTS	WT.	DWG C SIZE	DRAWING No.	REV.