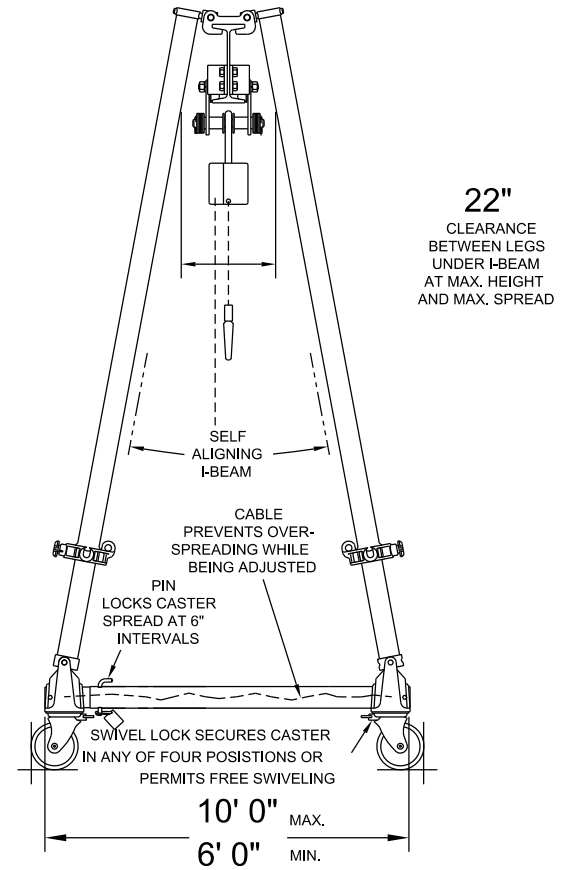


18"
Stl.



Round Tube Steel Frames and Steel I-Beam

All Dimensions are $\pm 1/2"$

MODEL No. S4T12-S30AC

© Copyright Wallace Cranes 2017. All rights reserved.



UNLESS OTHERWISE SPECIFIED DIMENSIONS ARE IN INCHES TOLERANCES ON		FRACTION		DECIMAL		TITLE	
		±1/2"		±0.5"		TRI-ADJUSTABLE GANTRY R.D.	
DRAWN BY J. Finkel		DATE 2-22-17		SCALE		DWG C	
CHECKER		APPROVAL		NTS		REV.	
SYMBOL		DESCRIPTION		DATE		DRAWING No.	
		REVISIONS					