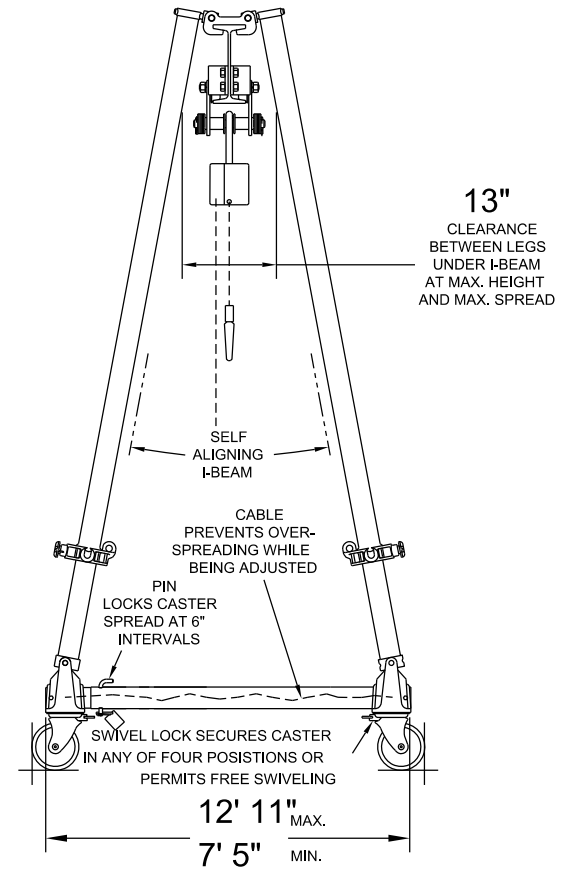


10"  
Stl.



Round Tube Steel Frames and Steel I-Beam

All Dimensions are  $\pm 1/2$ "

MODEL No. **S4T21-S15AC**

© Copyright Wallace Cranes 2017. All rights reserved.



UNLESS OTHERWISE SPECIFIED DIMENSIONS ARE IN INCHES TOLERANCES ON				<b>Wallace Cranes</b> MALVERN, PENNSYLVANIA <b>TRI-ADJUSTABLE GANTRY R.D.</b>			
FRACTION		DECIMAL					
1/16"		0.0156"		DRAWN BY J. Fjnkcl		DATE 2-22-17	
CHECKER				SCALE			
APPROVAL				NTS			
REVISIONS				DWG C			
				DRAWING NO.			
				REV.			