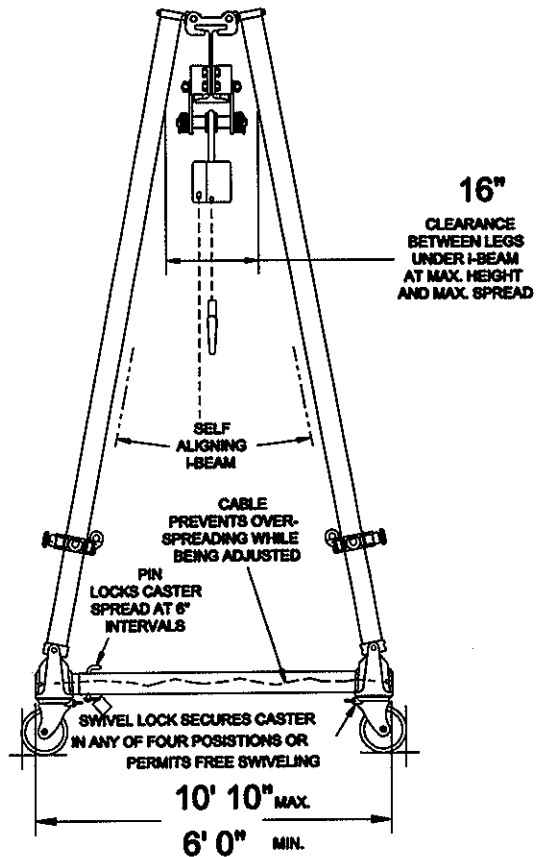


10" Steel



**Steel Frames and I-Beam**

All Dimensions are  $\pm 1/2"$

MODEL No. **S6T12-15SAC**

© Copyright Wallace Cranes 2009. All rights reserved.



CONVERTED TO CAD DRAWING DATE: _____ BY: _____				UNLESS OTHERWISE SPECIFIED DIMENSIONS ARE IN INCHES TOLERANCES ON: FINISHES: .000"    ORIGINAL: .000" DIMENSIONS BY DATE: 8-18-09 DRAWN BY: J. Flynn CHECKED: _____		<b>Wallace Cranes</b> MALVERN, PENNSYLVANIA TITLE: <b>TRI-ADJUSTABLE GANTRY H.D.</b>	
SCALE: <b>NTS</b>	WT.:	DWG. NO.: <b>C</b>	DRAWING NO.:	REV.:			