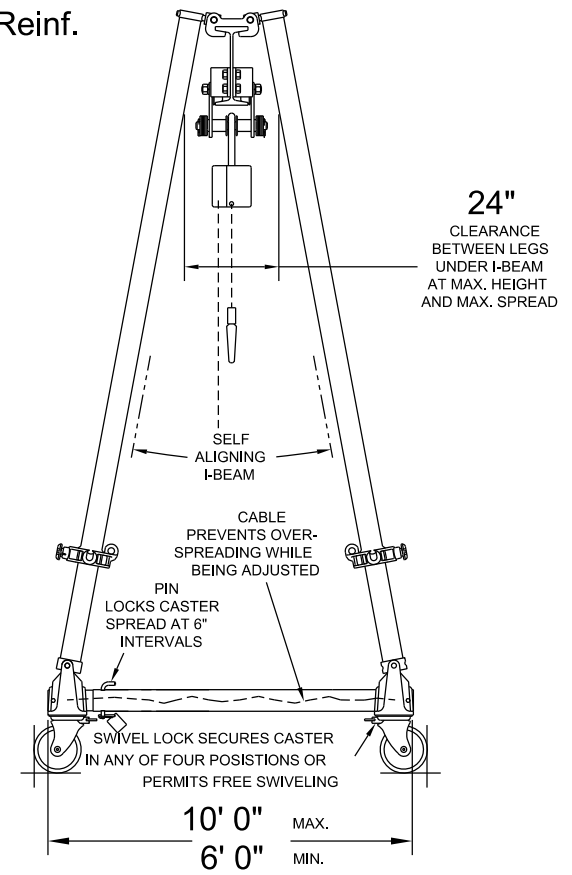


18" Reinf.  
Stl.



Round Tube Aluminum Frames and Aluminum I-Beam

All Dimensions are  $\pm 1/2"$

MODEL No. **S6T12-M35AC**

© Copyright Wallace Cranes 2017. All rights reserved.



UNLESS OTHERWISE SPECIFIED DIMENSIONS ARE IN INCHES TOLERANCES ON				<b>Wallace Cranes</b> MALVERN, PENNSYLVANIA			
FRACTION	DECIMAL	DATE	TITLE				
$\pm 1/16"$	$\pm 0.015"$	2-21-17	TRI-ADJUSTABLE GANTRY H.D.				
DRAWN BY: J. Finkel				SCALE	WT.	DWG	DRAWING No.
CHECKER				NTS		C	
APPROVAL							REV.
REVISIONS							