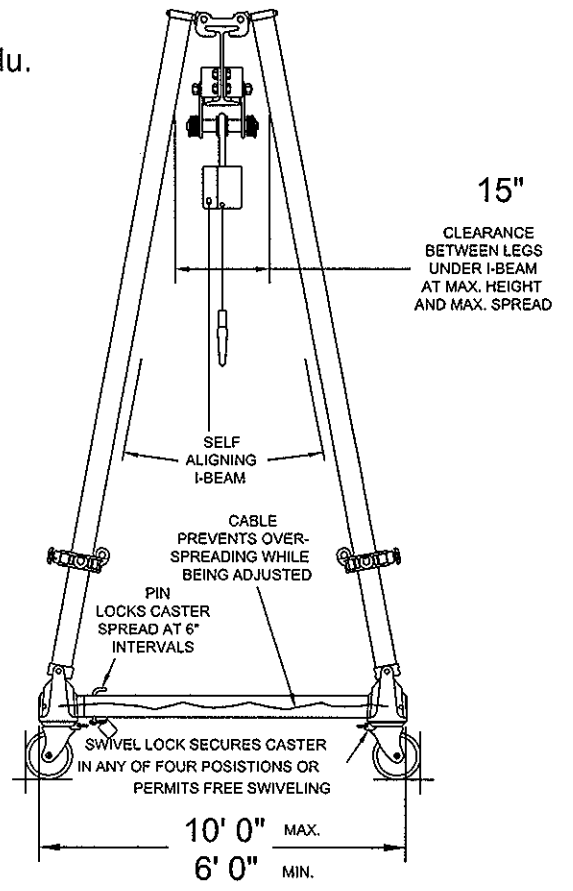


12" Alu.



Steel Frames with Aluminum I-Beam

NOTE:
All dimensions shown are $\pm 1/2"$

MODEL No. S6T15-A10AC

© Copyright Wallace Cranes 2016. All rights reserved.



UNLESS OTHERWISE SPECIFIED DIMENSIONS ARE IN INCHES TOLERANCES ON		FRACTION		DECIMAL		TITLE	
		1/32"		.005"		Wallace Cranes MALVERN, PENNSYLVANIA	
DRAWN BY J. Finkel		DATE 2-29-16		TRI-ADJUSTABLE GANTRY H.D.			
CHECKER		APPROVAL		SCALE NTS	WT.	DWG C SIZE	DRAWING No.
REVISIONS		DATE	INT.			REV.	