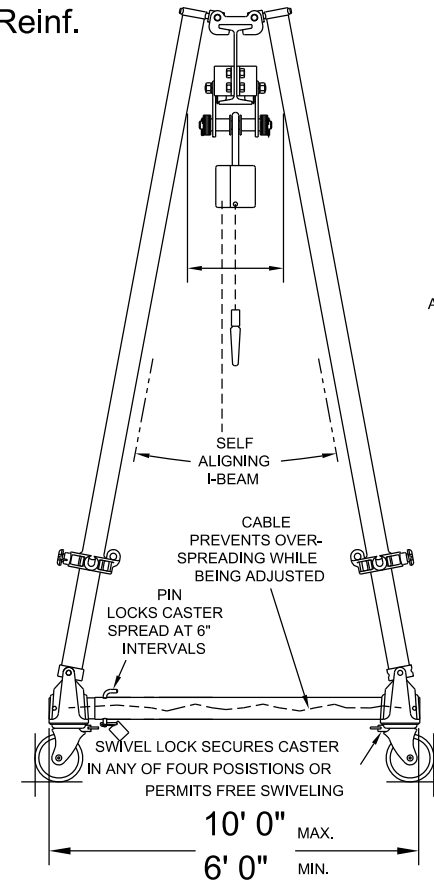


18" Reinf.
Stl.



Round Tube Steel Frames and Steel I-Beam

All Dimensions are $\pm 1/2"$

MODEL No. S6T15-M30AC

© Copyright Wallace Cranes 2017. All rights reserved.



UNLESS OTHERWISE SPECIFIED DIMENSIONS ARE IN INCHES TOLERANCES ON				Wallace Cranes MALVERN, PENNSYLVANIA TITLE: TRI-ADJUSTABLE GANTRY H.D.			
FRACTION	DECIMAL						
$\pm 1/2"$	$\pm 0.5"$			SCALE	WT.	DWG	DRAWING No.
DRAWN BY J. Finkel		DATE 2-21-17		NTS		C	
CHECKER	APPROVAL			REV.			
CONVERTED TO CAD DRAWING							
SYM.	DESCRIPTION	DATE	INT.	REVISIONS			