

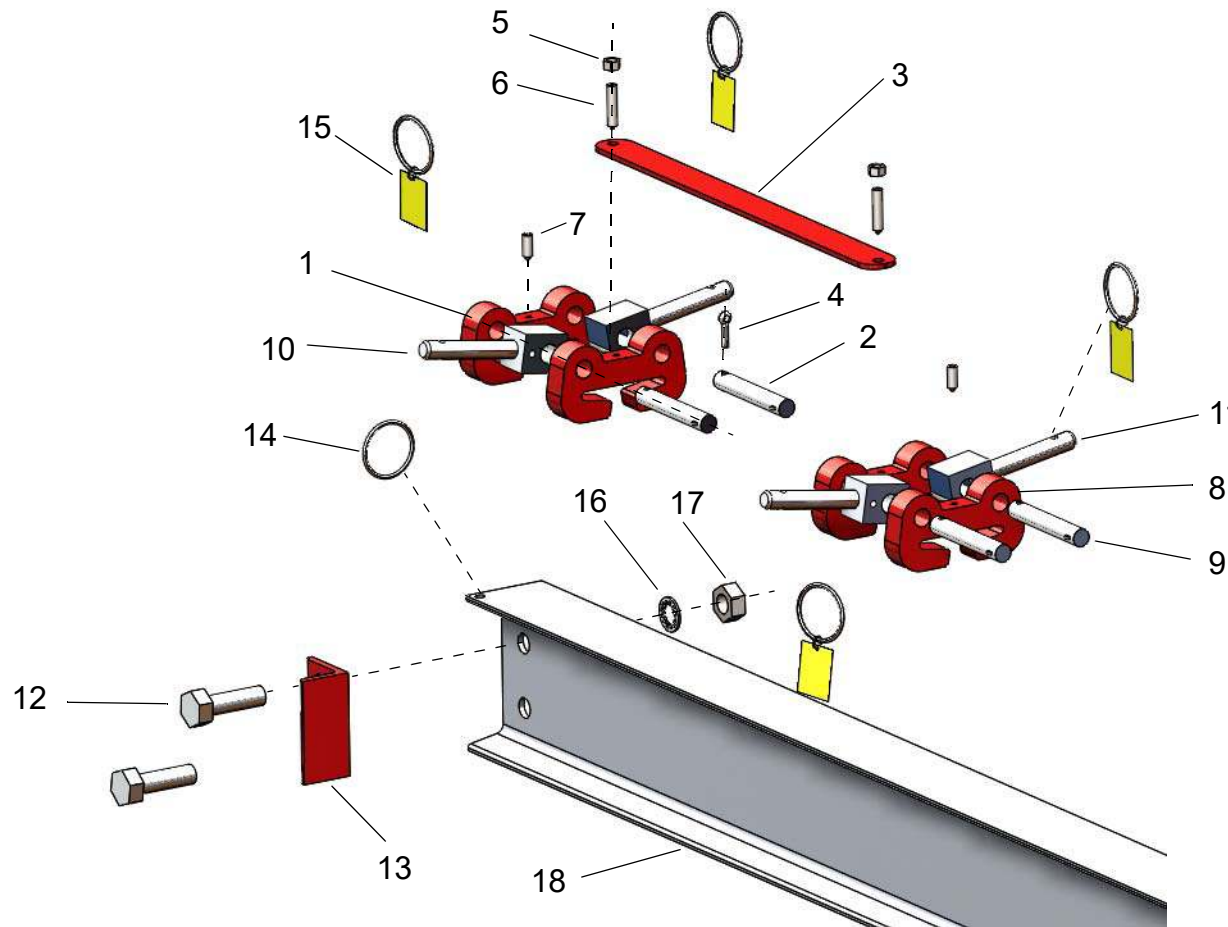
MODEL NUMBER S2T15-S15AC

ITEM NO.	PART DESCRIPTION	PART NUMBER	QUAN.
1	MAIN LEG BRACKET	1553-0000	4
2	SUPPORT PIN 11/16 DIA. X 4 9/16 LG.	5017-0004	4
3	SPACER BAR 26 3/8 LG.	1744-0005	2
4	COTTER PIN 1/4 X 1 1/4 LG.	60-0070	8
5	HEX. NUT 3/8-24NC	54-0100	4
6	SOC. SET SCREW 3/8-24NF X 1 3/4 LG.	63-0110	4
7	SOC. SET SCREW 3/8-24NF X 1 LG.	63-0100	4
8	LEG BRACE BRACKET	1761-0000	4
9	SUPPORT PIN 11/16 DIA. X 4 1/8 LG.	2853-0000	4
10	MAIN LEG SWIVEL PIN	1564-0000	4
11	LEG BRACE SWIVEL PIN	1560-0000	4
12	HEX. HD. BOLT 3/4-10NC X 2 1/2 LG.	51-0480	4
13	TROLLEY STOP ANGLE	3464-0000	4
14	KEY RING 2 1/4 OD.	82-0030	10
15	CAUTION TAG No. 399	1969-RING	12
16	LOCK WASHER INT. TOOTH 3/4	58-0040	4
17	HEX. NUT 3/4-10NC	54-0040	4
18	I BEAM STL. 8" X 15' LG.	761-0150	1
19	LEG BRACE ASSEMBLY	1541-0100	4
20	MAIN LEG ASSEMBLY	1640-0101	4
21	UPPER MAIN LEG	1641-0100	4
22	ROLL PIN 5/32 X 3/4 LG.	61-0300	4
23	LOAD PIN	3016-0000	4
24	EXTENSION SPRING	1017-0000	8
25	LOWER MAIN LEG	1642-0100	4
26	CASTER FRAME ASSEMBLY	693-0040	2
27	LOWER MAIN LEG PIN ASSEMBLY	1999-0000	4
28	HEX. HD. BOLT 1/2-13NC X 4 LG.	51-0460	4
29	SAFETY CABLE ASS'Y 121" LG.	1967-0020	2
30	OUTER CASTER FRAME TUBE	1694-0040	2
31	CASTER FRAME ADJUSTMENT PIN	1392-0000	2
32	INNER CASTER FRAME TUBE	695-0040	2
33	CASTER CASTING FOR INNER TUBE	2455-0000	2
34	CASTER CASTING FOR OUTER TUBE	2456-0000	2
35	LOCK WASHER INT. TOOTH 1/2	58-0020	4
36	HEX. NUT 1/2-13NC	54-0050	4
37	HEX. HD. BOLT 3/8-16NC X 1 1/2 LG.	51-0190	16
38	LOCK WASHER INT. TOOTH 3/8	58-0060	16
39	HEX. NUT 3/8-16NC	54-0060	16
40	CASTER WHEEL 6" DIA.	47-12NB	4
41	SAFETY STOP ASSEMBLY	3112-0001	4



# Wallace Cranes Parts Location

## Round Tube Tri-Adjustable

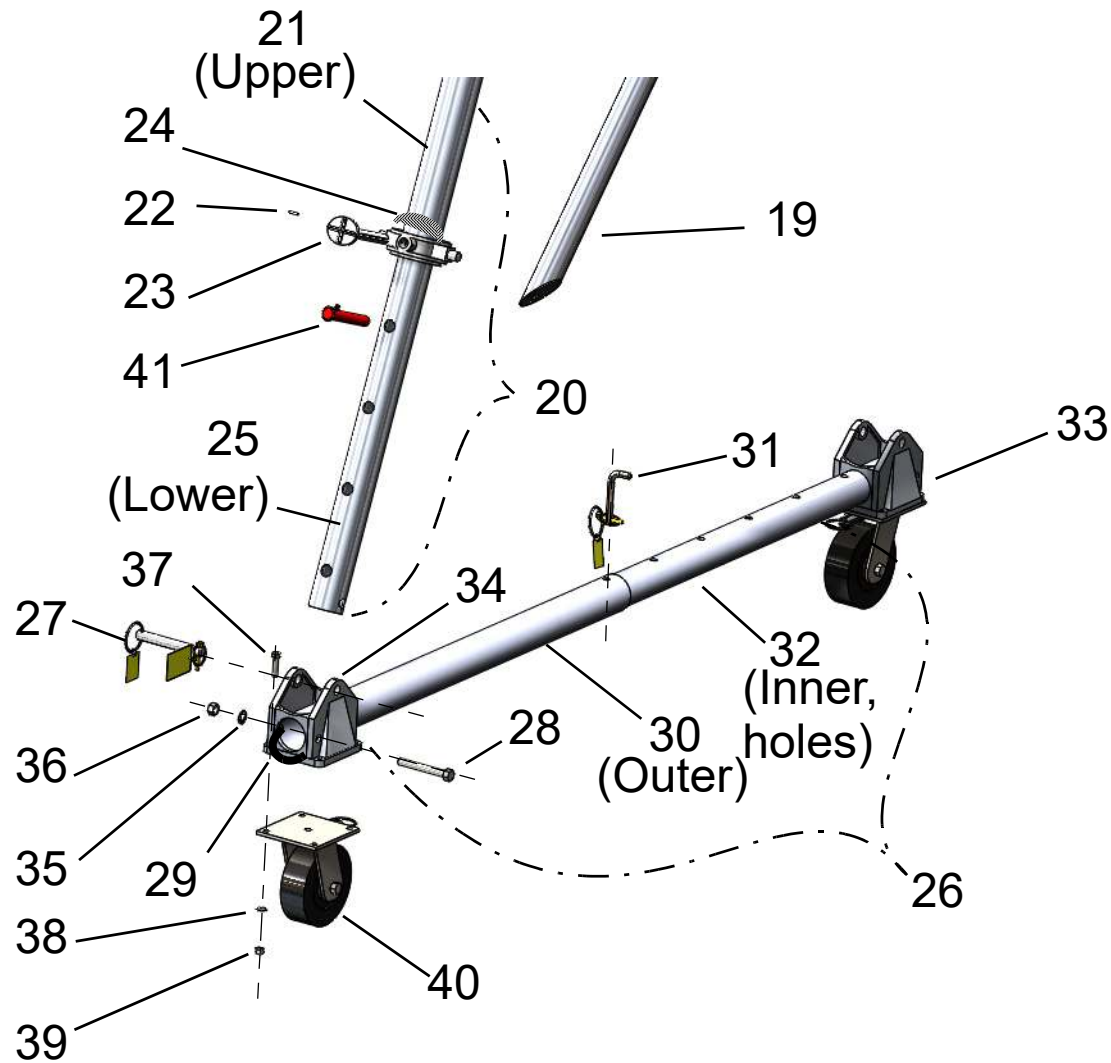


Item No.	Part Desc.
1	Main leg bracket
2	Support Pin
3	Spacer bar
4	Cotter Pin
5	Hex Nut
6	Set Screw (long)
7	Set Screw (short)
8	Brace Leg Bracket
9	Support Pin
10	Main Leg Swivel Pin
11	Leg Brace Swivel Pin
12	Hex Bolt
13	Trolley Stop Angle
14	Key Ring
15	Caution Tag (399)
16	Lock washer (internal tooth)
17	Hex Nut
18	I-Beam

Wallace Cranes  
71 N Bacton Hill Rd.  
Malvern, PA 19355



www.wallacecranes.com  
800-553-5438  
©2017 All rights reserved



Caster Frame  
Assembly  
Parts Location

Wallace Cranes  
71 N Bacton Hill Rd.  
Malvern, PA 19355

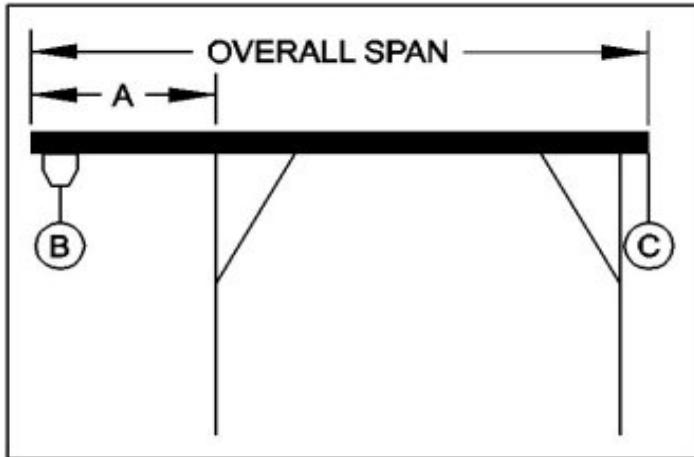


www.wallacecranes.com  
800-553-5438  
©2017 All rights reserved



## WALLACE CRANES PORTABLE CRANE CANTILEVER CHART

GANTRY MODEL NUMBER: S2T15-S15AC  
 I-BEAM: S8" X 18.4#/' X 15'  
 I-BEAM LENGTH (OVERALL SPAN): 180 Inches  
 MAXIMUM CANTILEVER DISTANCE (A): 45 Inches  
 GANTRY RATED CAPACITY: 2000 Lbs.  
 MAXIMUM CANTILEVERED LOAD (B): 1200 Lbs.  
 GANTRY WEIGHT: 769 Lbs.  
 I-BEAM WEIGHT: 276 Lbs.



**PROPER CANTILEVER PROCEDURES**  
 Required counterweight should not be supported by gantry caster frame.

Load and trolley should be able to freely traverse the I-beam through the main legs and brace legs of the gantry.

### REQUIRED COUNTERWEIGHT AT [C]

A	B	B	B	B	B	B
IN	200	400	600	800	1000	1200
FEET	LBS.	LBS.	LBS.	LBS.	LBS.	LBS.
1	0	0	0	0	0	0
2	0	0	0	0	0	5
3	0	0	0	50	150	250
3.75	0	0	61	194	328	461