



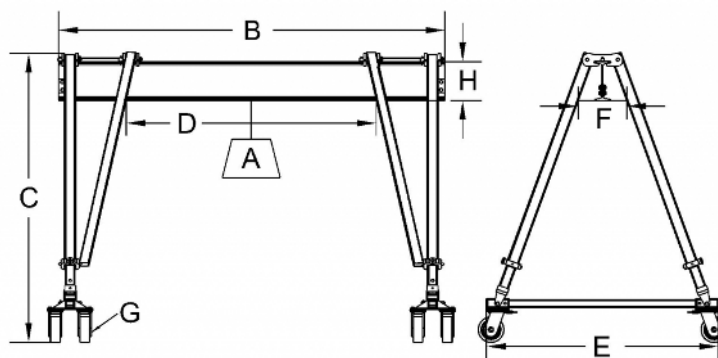
Wallace 8 and 10 Ton Steel Tri-Adjustable Portable Cranes

Wallace portable gantry cranes are ideal for maintenance, manufacturing, repairs, and other material handling tasks. Many customers use our cranes for HVAC, assembly, and repairs of physical equipment. Some of our current users include electric utilities, municipal maintenance (including subways, buses and building facilities), hospitals, universities, research institutions and the military. With adjustable height, span and tread, our all steel Wallace Tri-adjustable Cranes provide flexible lifting solutions. Available accessories include manual or powered trolleys and hoists, jack kits for frequent crane height adjustments, and kart kits for transporting and/or storing crane. Options for track mounting with V-groove casters and motorizing cranes are also available - click on the accessories tab for more information.

[Tri-Adjustable Square Tube Assembly and Inspection Instructions](#)

Product Features

- I-beam spans from 10' - 35'
- Adjustable span allows inboard or outboard bracing
- Adjustable span allows cantilever configuration overhang limited to 25% of the I-beam length
- Adjustable legs permit crane height adjustment at 6" increments
 - Raise height to go over equipment, material, etc...
 - Lower height to go under low ceilings, doorways, etc...
 - Legs can be set at different heights where floor or terrain is uneven-ideal for loading from truck dock to floor or from ground level to mezzanine
- Adjustable caster tread to roll thru narrow aisles or doorways which prevents costly disassembly
 - Safety cable attached inside of caster frame tubes prevents overspreading when adjusting
- Durable construction - high quality heavy gauge steel tubing is used
- Self Aligning I-beam - Exclusive Wallace I-beam support system aligns off-center loads to avoid crane and trolley distortion
 - I-beam support system slides along the I-beam enabling leg spacing adjustments and cantilever configurations
- Height-Adjusting Bolts - Main legs are equipped with spring loaded bolts permitting crane height adjustment - they can be locked out until the desired height is reached, then unlocked to engage automatically
- Casters equipped with 4 position swivel lock - when locked 90 degrees with each other, they position crane more firmly than a brake
 - Lock "lead" casters and unlock trailing casters to easily move and steer crane
 - Alternate steel V-grooved casters are available for use on angle iron track
- Completely portable - Stress-proof steel pins with locking rings provide quick assembly and disassembly
 - The optional "Kart Kit" is available and transforms your disassembled crane to a cart which allows easy transportation and storage



Tri-Adjustable Square Tube Dimensional Sketch - [Click to enlarge](#)

Crane Sizes and Model Numbers

A	B		C		D	E		F	G	H	
Capacity	Span	Model Number	Overall Height		Clear Span	Caster Frame Spread		Leg Clear.	Caster Dia.	I-Beam Depth	Ship Wt.
			max	min		max	min				
8 Ton	10'	8T10-S10	10' 11"	7' 3"	6' 4"	6' 5"	4' 11"	14"	10"	15"	1823
		8T15-S10	15' 1"	9' 9"	5' 3"	8' 11"	6' 5"	15"	10"	15"	2193
		8T19-S10	19' 5"	12' 6"	4' 0"	11' 4"	7' 10"	15"	10"	15"	2533
		8T24-S10	23' 11"	15' 6"	2' 9"	14' 0"	9' 6"	15"	10"	15"	2947
	15'	8T10-S15	10' 11"	7' 3"	11' 4"	6' 5"	4' 11"	14"	10"	15"	2057
		8T15-S15	15' 1"	9' 10"	10' 0"	10' 0"	6' 5"	15"	10"	15"	2407
		8T19-S15	19' 5"	12' 6"	8' 10"	11' 4"	7' 10"	16"	10"	15"	2747
		8T24-S15	23' 11"	15' 6"	7' 7"	14' 0"	9' 6"	16"	10"	15"	3161
	20'	8T10-20	10' 11"	7' 3"	16' 5"	6' 5"	4' 11"	16"	10"	18"	2520
		8T15-20	15' 1"	9' 10"	15' 1"	8' 11"	6' 5"	18"	10"	18"	2870
		8T19-20	19' 5"	12' 7"	13' 11"	11' 4"	7' 10"	18"	10"	18"	3210
		8T24-20	24' 0"	15' 6"	12' 6"	14' 0"	9' 6"	18"	10"	18"	3624
	25'	8T15-M25	15' 1"	9' 10"	20' 2"	8' 11"	6' 5"	19"	10"	18"*	3430
		8T19-M25	19' 5"	12' 7"	19' 0"	11' 4"	7' 10"	19"	10"	18"*	3770
		8T24-M25	24' 0"	15' 7"	17' 9"	14' 0"	9' 6"	19"	10"	18"*	4184
	30'	8T15-M30	15' 1"	9' 10"	25' 2"	8' 11"	6' 5"	19"	10"	18"*	3846
		8T19-M30	19' 5"	12' 6"	24' 0"	11' 4"	7' 10"	19"	10"	18"*	4186
		8T24-M30	23' 11"	15' 6"	22' 9"	14' 0"	9' 6"	19"	10"	18"*	4600
	35'	8T15-S35	15' 1"	9' 10"	30' 4"	8' 11"	6' 5"	22"	10"	24"*	5035
		8T19-S35	19' 5"	12' 7"	29' 2"	11' 4"	7' 10"	22"	10"	24"*	5375
		8T24-S35	24' 0"	15' 6"	27' 11"	14' 0"	9' 6"	22"	10"	24"*	5789

***I-Beam Reinforced**

A	B		C		D	E		F	G	H	
Capacity	Span	Model Number	Overall Height		Clear Span	Caster Frame Spread		Leg Clear.	Caster Dia.	I-Beam Depth	Ship Wt.
			max	min		max	min				
10 Ton	10'	10T10-S10	10' 11"	7' 3"	6' 5"	6' 5"	4' 11"	16"	10"	18"	1973
		10T15-S10	15' 1"	9' 9"	5' 4"	8' 11"	6' 5"	17"	10"	18"	2323
		10T19-S10	19' 5"	12' 6"	4' 2"	11' 4"	7' 10"	17"	10"	18"	2663
		10T24-S10	24' 0"	15' 6"	2' 10"	14' 0"	9' 6"	17"	10"	18"	3077
	15'	10T10-S15	10' 11"	7' 3"	11' 5"	6' 5"	4' 11"	16"	10"	18"	2246
		10T15-S15	15' 1"	9' 10"	10' 1"	8' 11"	6' 5"	18"	10"	18"	2596
		10T19-S15	19' 5"	12' 7"	8' 11"	11' 4"	7' 10"	18"	10"	18"	2936
		10T24-S15	24' 0"	15' 6"	7' 8"	14' 0"	9' 6"	18"	10"	18"	3350
	20'	10T10-M20	10' 11"	7' 3"	16' 6"	6' 5"	4' 11"	17"	10"	18"*	2698
		10T15-M20	15' 1"	9' 10"	15' 2"	8' 11"	6' 5"	19"	10"	18"*	3048
		10T19-M20	19' 5"	12' 7"	14' 0"	11' 4"	7' 10"	19"	10"	18"*	3388
		10T24-M20	24' 0"	15' 6"	12' 7"	14' 0"	9' 6"	19"	10"	18"*	3802
	25'	10T15-25	15' 1"	9' 10"	20' 2"	8' 11"	6' 5"	22"	10"	24"	3790
		10T19-25	19' 5"	12' 7"	19' 0"	11' 4"	7' 10"	22"	10"	24"	4130
		10T24-25	24' 0"	15' 6"	17' 7"	13' 11"	9' 6"	22"	10"	24"	4544
	30'	10T15-S30	15' 1"	9' 10"	25' 4"	8' 11"	6' 5"	22"	10"	24"*	4571
		10T19-S30	19' 5"	12' 7"	24' 2"	11' 4"	7' 10"	22"	10"	24"*	4911
		10T24-S30	24' 0"	15' 6"	22' 11"	14' 0"	9' 6"	22"	10"	24"*	5325
	35'	10T15-S35	15' 1"	9' 10"	30' 4"	8' 11"	6' 5"	22"	10"	24"*	5436
		10T19-S35	19' 5"	12' 7"	29' 2"	11' 4"	7' 10"	22"	10"	24"*	5776
		10T24-S35	24' 0"	15' 6"	27' 11"	14' 0"	9' 6"	22"	10"	24"*	6190

***I-Beam Reinforced**